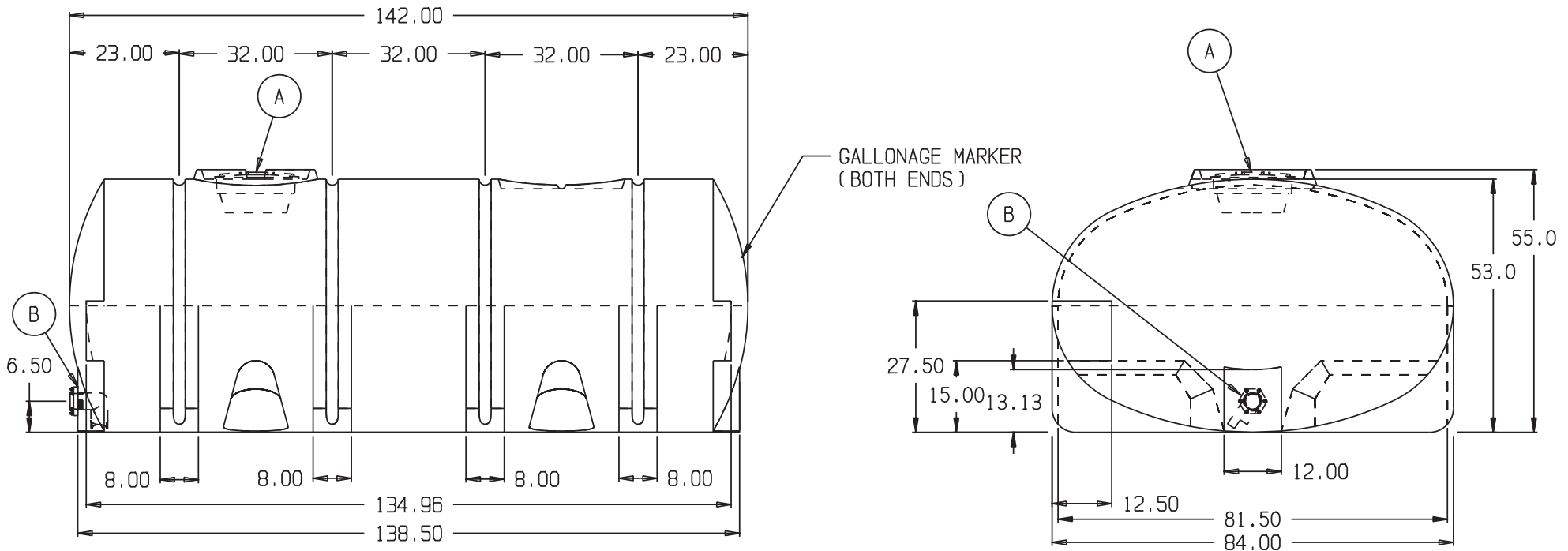


WATER

SNYDER INDUSTRIES INC.



- A. 18" PE THREADED-VENTED MANWAY W/15" ACCESS [P/N 34700087].
- B. 3" PP DBL FLANGED BOLTED FTG SHORT SIPHON TUBE ASSY W/EPDM GASKET & SS BOLTS [P/N 34700844].

* BASE FITTINGS TO BE LEFT INSTALLED AT TIME OF SHIPMENT PER SII PROCEDURE

ALL DIMENSIONS, DESIGNS, AND INFORMATION ON THIS PRINT MUST BE CONSIDERED PROPRIETARY TO SNYDER INDUSTRIES, INC. AND MAY NOT BE USED, COPIED, OR DISTRIBUTED WITHOUT WRITTEN PERMISSION OF AN OFFICER (OR HIS AGENT) OF THE FIRM.

(all dimensions in inches)

PART # TANK: 1002300W-- (M)

2000 GALLON ELLIPTICAL LEG TANK

REF#: 00000

10/27/11