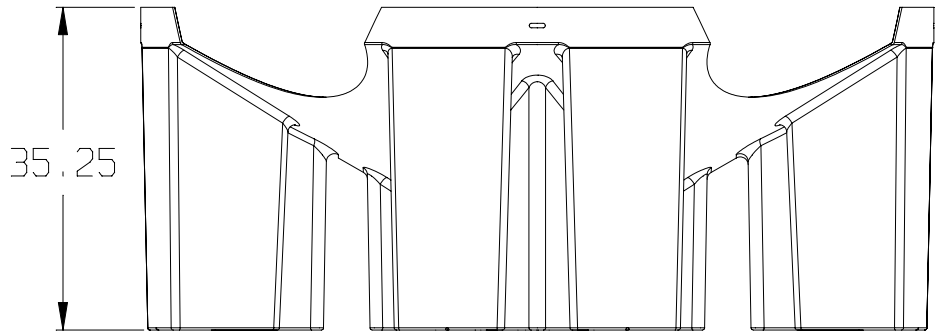
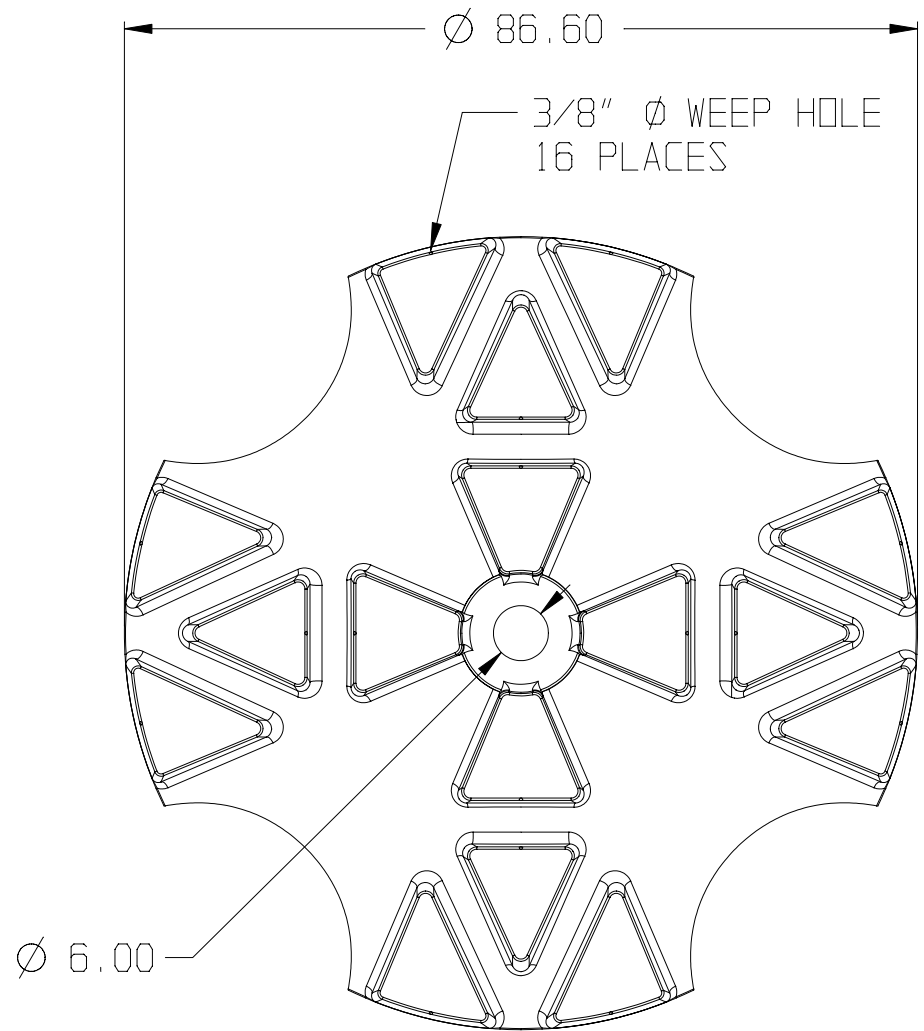


STANDS SHIPPED WITHOUT BEING INSTALLED ONTO A TANK REQUIRE SPECIAL PALLETS

SNYDER INDUSTRIES INC.



FRONT VIEW



BOTTOM VIEW

(all dimensions in inches)

PART # STAND: 1003000C97801

REF#: 00000

05/16/06

86" DIAMETER 30° POLY CONE STAND - 10 TON CAPACITY