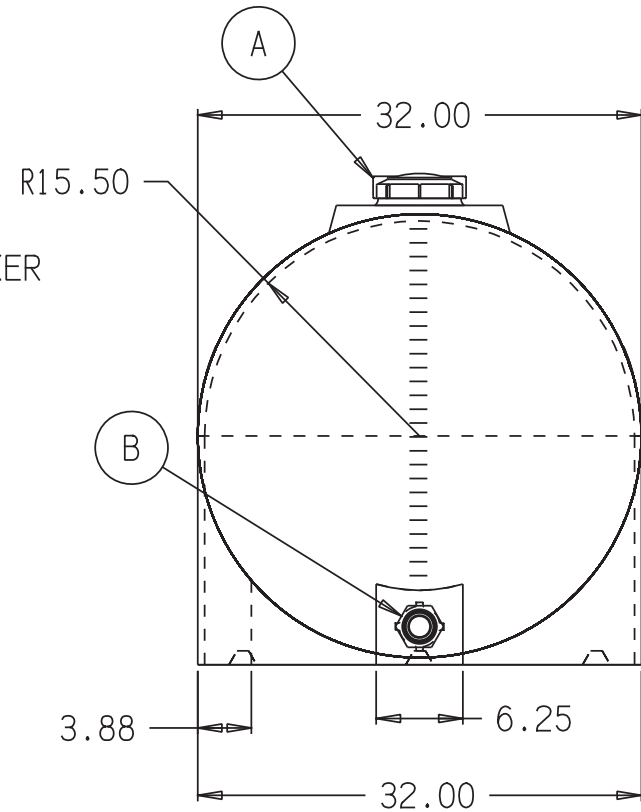
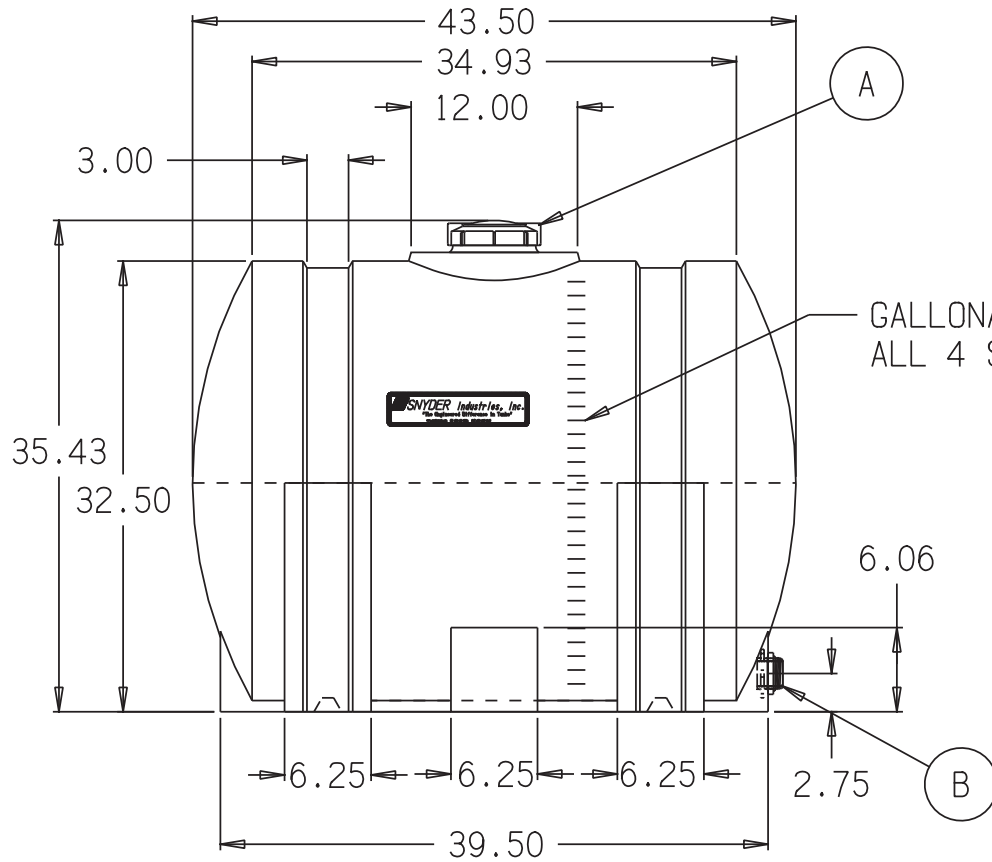


WATER

APPROX. BRIMFUL CAPACITY:
TANK: 135.6 GAL.

SNYDER INDUSTRIES INC.



- A. 6" PE THREADED-VENTED FILL CAP W/4-1/2" ACCESS [P/N 34300047]
- B. 1-1/4" PE STANDARD BH FTG W/EPDM GASKETS [P/N 34300003]

BASE FITTINGS TO BE LEFT INSTALLED AT TIME OF SHIPMENT PER SII PROCEDURE

(all dimensions in inches)
PART # TANK: 1003600W--

125 GALLON HORIZONTAL LEG TANK

REF#: 00000 08/12/11