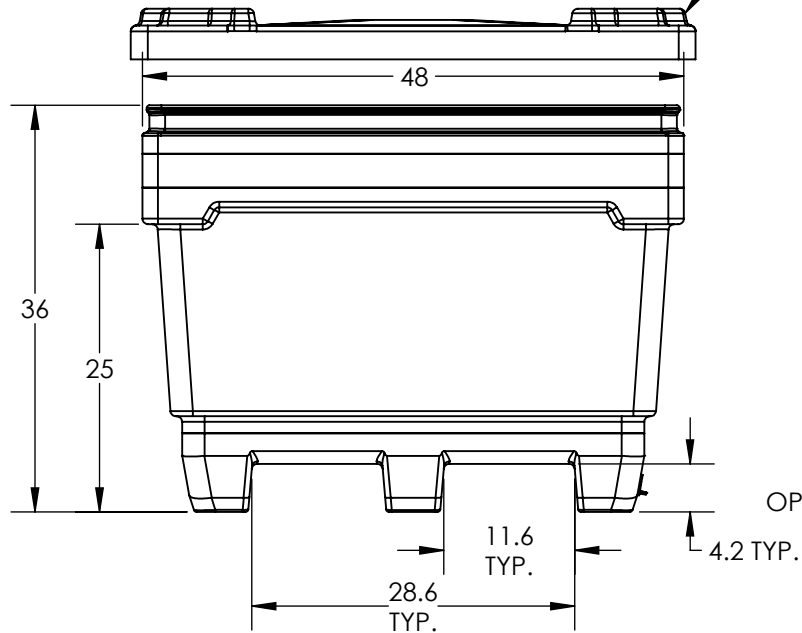
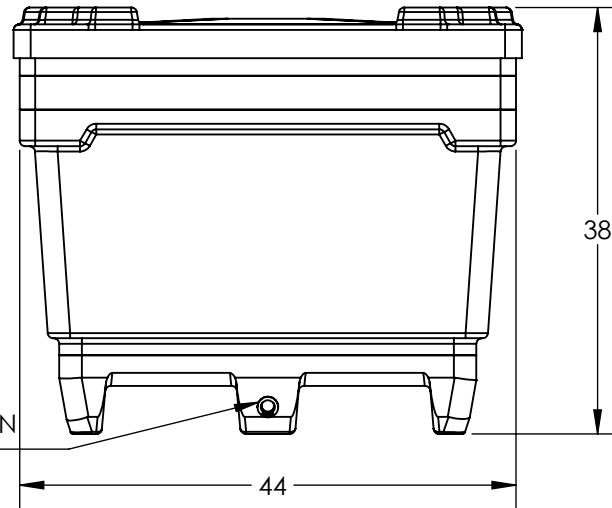


OPTIONAL LID SHOWN  
(1017100M)



OPTIONAL DRAIN SHOWN  
(34500102)



ALL DIMENSIONS ARE IN INCHES, NOMINAL, & SUBJECT TO CHANGE WITHOUT NOTICE.  
ALL DIMENSIONS ON ROTATIONAL MOLDED PARTS ARE SUBJECT TO A  $\pm$  3% TOLERANCE.

DO NOT SCALE		DRAWN BY	DATE	 www.bonarplastics.com	TITLE: <b>BIN 2736 MONSTER CMBO 4WY WD WLID</b>	REVISION
STATUS:	<b>Released</b>	KB	09/24/2014			<b>B</b>
© SNYDER INDUSTRIES INC., 2014				1005 Atlantic Drive West Chicago, IL 60185 (630)293-0303 www.bonarplastics.com	PART NO.	SHEET
					<b>1014500M</b>	1 OF 1
					ENG. ID.	<b>D002839</b>