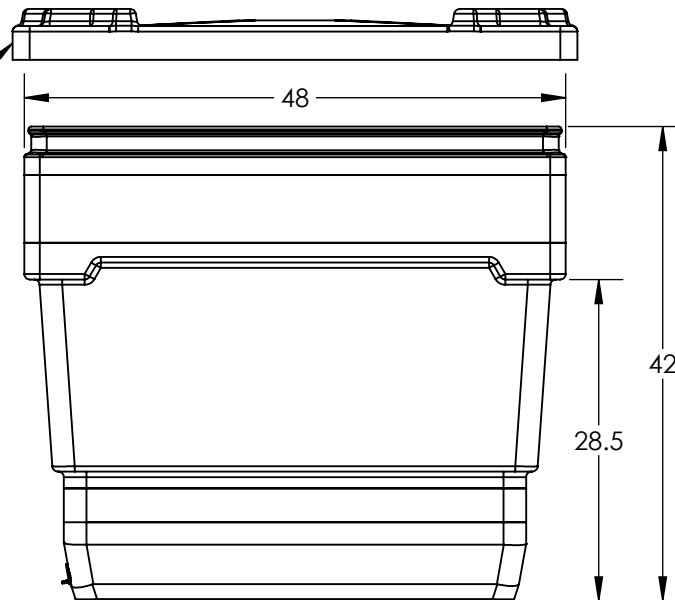


OPTIONAL LID SHOWN  
(1017100M)

OPTIONAL DRAINS SHOWN  
(34500102)



ALL DIMENSIONS ARE IN INCHES, NOMINAL, & SUBJECT TO CHANGE WITHOUT NOTICE.  
ALL DIMENSIONS ON ROTATIONAL MOLDED PARTS ARE SUBJECT TO A  $\pm$  3% TOLERANCE.

DO NOT SCALE		DRAWN BY	DATE	 1005 Atlantic Drive West Chicago, IL 60185 (630)293-0303 <a href="http://www.bonarplastics.com">www.bonarplastics.com</a>	TITLE:	REVISION
STATUS:	<b>Released</b>	KB	09/24/2014		<b>BIN 2842 MONSTER CMBO 2WY WD WLID</b>	<b>B</b>
© SNYDER INDUSTRIES INC., 2014					PART NO.	SHEET
<small>ALL DIMENSIONS, DESIGNS, AND INFORMATION ON THIS PRINT MUST BE CONSIDERED PROPRIETARY TO SNYDER INDUSTRIES, INC. AND MAY NOT BE USED, COPIED, OR DISTRIBUTED WITHOUT WRITTEN PERMISSION OF AN OFFICER (OR HIS AGENT) OF THE FIRM.</small>					<b>1015500M</b>	1 OF 1
					ENG. ID.	<b>D002852</b>