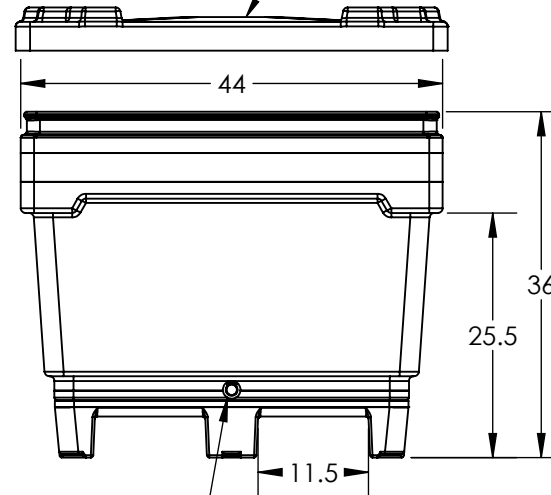
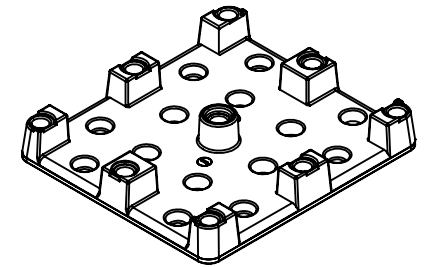


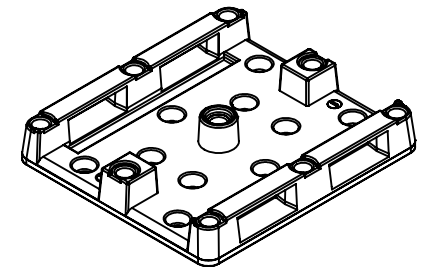
OPTIONAL LID SHOWN
(1017100M)



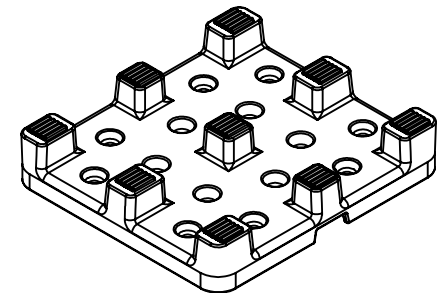
OPTIONAL DRAIN SHOWN
(34500102)



4WY MONSTER COMBO BASE (1016800M)
W/ CASTERS (1016801M)



ROTATABLE MONSTER COMBO
BASE (1017000M)
W/CASTERS (1017001M)



MONSTER COMBO REMOVABLE
SOCKET BASE (1016900M)

WELDED/SEALED BASE OPTION AVAILABLE ON BIN ASSEMBLIES W/ BOLT-ON BASES.

ALL DIMENSIONS ARE IN INCHES, NOMINAL, & SUBJECT TO CHANGE WITHOUT NOTICE.
ALL DIMENSIONS ON ROTATIONAL MOLDED PARTS ARE SUBJECT TO A ± 3% TOLERANCE.

DO NOT SCALE		DRAWN BY	DATE	BONAR PLASTICS www.bonarpastics.com	TITLE:	REVISION
STATUS:	Released	KB	09/25/2014		1005 Atlantic Drive West Chicago, IL 60185 (630)293-0303 www.bonarpastics.com	BIN 2936 MONSTER COMBO 4WY
© SNYDER INDUSTRIES INC., 2014					PART NO.	SHEET
<small>ALL DIMENSIONS, DESIGNS, AND INFORMATION ON THIS PRINT MUST BE CONSIDERED PROPRIETARY TO SNYDER INDUSTRIES, INC. AND MAY NOT BE USED, COPIED, OR DISTRIBUTED WITHOUT WRITTEN PERMISSION OF AN OFFICER (OR HIS AGENT) OF THE FIRM.</small>					1016100M	1 OF 1
					ENG. ID.	D002869