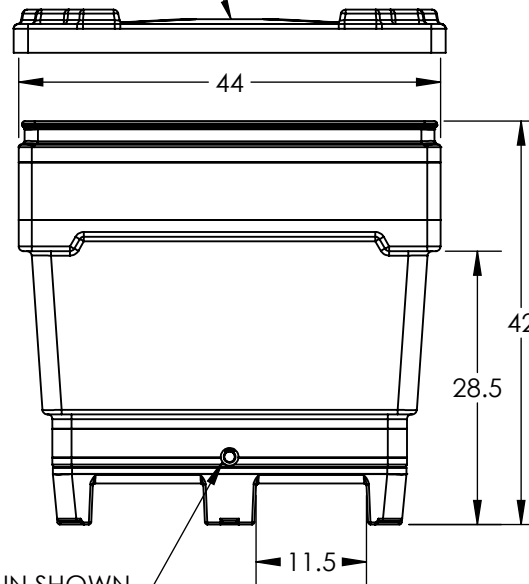
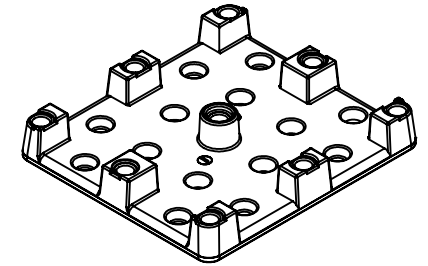


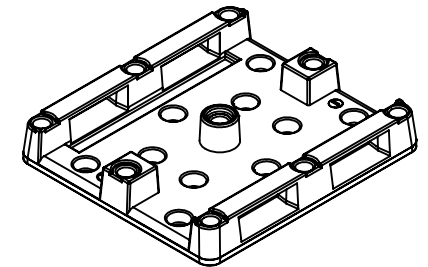
OPTIONAL LID SHOWN  
(1017100M)



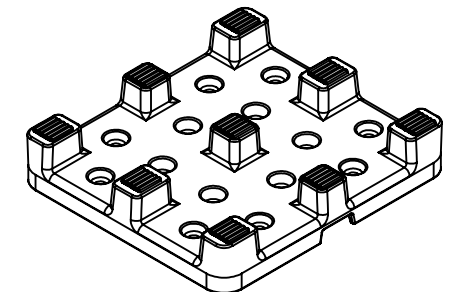
OPTIONAL DRAIN SHOWN  
(34500102)



4WY MONSTER COMBO BASE (1016800M)  
W/ CASTERS (1016801M)



ROTATABLE MONSTER COMBO  
BASE (1017000M)  
W/CASTERS (1017001M)



MONSTER COMBO REMOVABLE  
SOCKET BASE (1016900M)

WELDED/SEALED BASE OPTION AVAILABLE ON BIN ASSEMBLIES W/ BOLT-ON BASES.

ALL DIMENSIONS ARE IN INCHES, NOMINAL, & SUBJECT TO CHANGE WITHOUT NOTICE.  
ALL DIMENSIONS ON ROTATIONAL MOLDED PARTS ARE SUBJECT TO A ± 3% TOLERANCE.

DO NOT SCALE	DRAWN BY	DATE	 1005 Atlantic Drive West Chicago, IL 60185 (630)293-0303 www.bonarplastics.com	TITLE:	REVISION
STATUS:	KB	09/25/2014		<b>BIN 2942 MONSTER COMBO 4WY</b>	<b>A</b>
© SNYDER INDUSTRIES INC., 2014				PART NO.	ENG. ID.
<small>ALL DIMENSIONS, DESIGNS, AND INFORMATION ON THIS PRINT MUST BE CONSIDERED PROPRIETARY TO SNYDER INDUSTRIES, INC. AND MAY NOT BE USED, COPIED, OR DISTRIBUTED WITHOUT WRITTEN PERMISSION OF AN OFFICER (OR HIS AGENT) OF THE FIRM.</small>				<b>1016300M</b>	<b>D002871</b>
					SHEET 1 OF 1