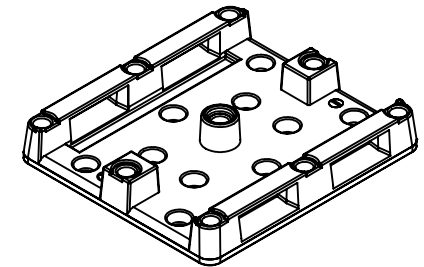
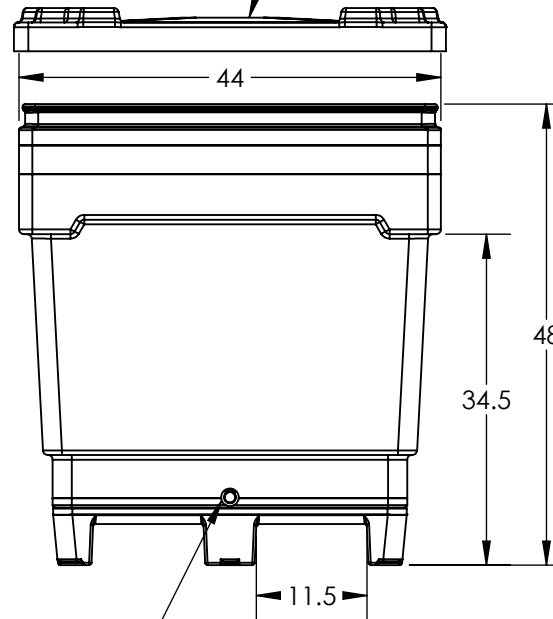
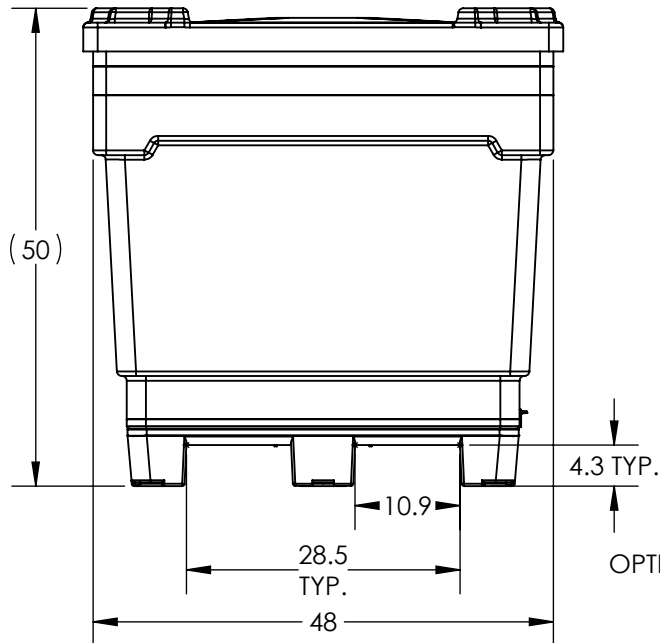


4WY MONSTER COMBO BASE (1016800M)  
W/ CASTERS (1016801M)

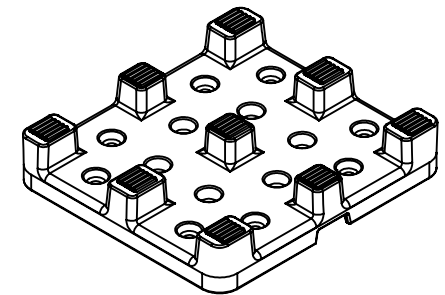
OPTIONAL LID SHOWN (1017100M)



ROTATABLE MONSTER COMBO BASE (1017000M)  
W/CASTERS (1017001M)



OPTIONAL DRAIN SHOWN (34500102)



MONSTER COMBO REMOVABLE SOCKET BASE (1016900M)

**WELDED/SEALED BASE OPTION AVAILABLE ON BIN ASSEMBLIES W/ BOLT-ON BASES.**

**ALL DIMENSIONS ARE IN INCHES, NOMINAL, & SUBJECT TO CHANGE WITHOUT NOTICE.  
ALL DIMENSIONS ON ROTATIONAL MOLDED PARTS ARE SUBJECT TO A ± 3% TOLERANCE.**

DO NOT SCALE		DRAWN BY	DATE	 1005 Atlantic Drive West Chicago, IL 60185 (630)293-0303 www.bonarplastics.com	TITLE:	REVISION
STATUS:	<b>Released</b>	KB	09/25/2014		<b>BIN 2948 MONSTER COMBO 4WY</b>	<b>A</b>
© SNYDER INDUSTRIES INC., 2014					PART NO.	SHEET
<small>ALL DIMENSIONS, DESIGNS, AND INFORMATION ON THIS PRINT MUST BE CONSIDERED PROPRIETARY TO SNYDER INDUSTRIES, INC. AND MAY NOT BE USED, COPIED, OR DISTRIBUTED WITHOUT WRITTEN PERMISSION OF AN OFFICER (OR HIS AGENT) OF THE FIRM.</small>					<b>1016500M</b>	<b>1 OF 1</b>
					ENG. ID.	<b>D002873</b>