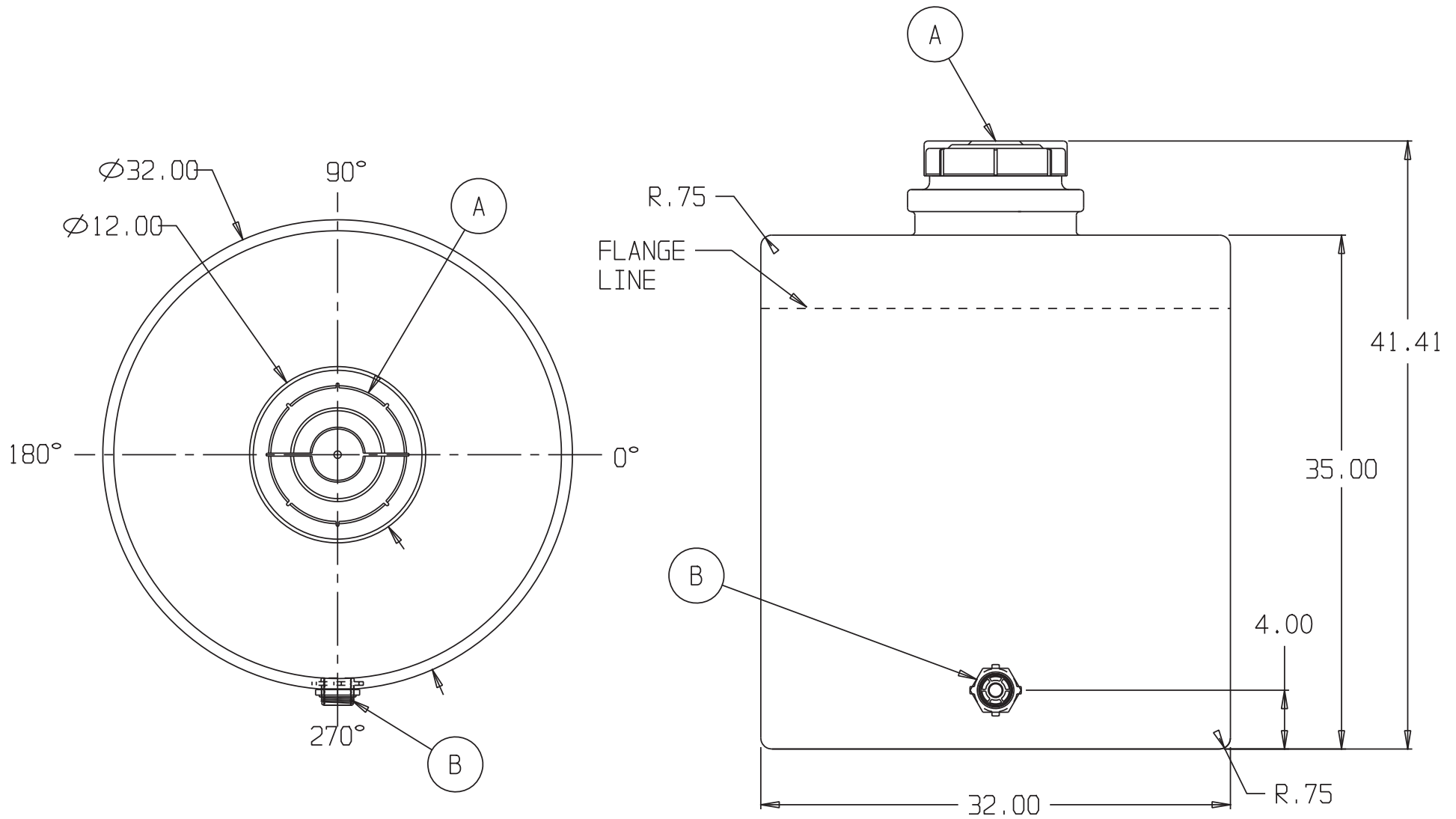


WATER



- A. 10" PE THREADED-VENTED FILL CAP W/7" ACCESS [P/N 34700088]
- B. 1-1/2" PP SII THREADED BH FTG W/EPDM GASKET [P/N 34300008]

* BASE FITTINGS TO BE LEFT INSTALLED AT TIME OF SHIPMENT PER SII PROCEDURE
 * Consult Snyder's Guidelines for Use and Installation prior to delivery.
 Available on-line at www.snydernet.com

(all dimensions in inches)
 PART # TANK: 1540200W953xx (C)
 HDLPE/NAT/WATER
 REF#: 0000 04/27/07

120 GALLON VERTICAL STORAGE TANK

SNYDER INDUSTRIES INC.