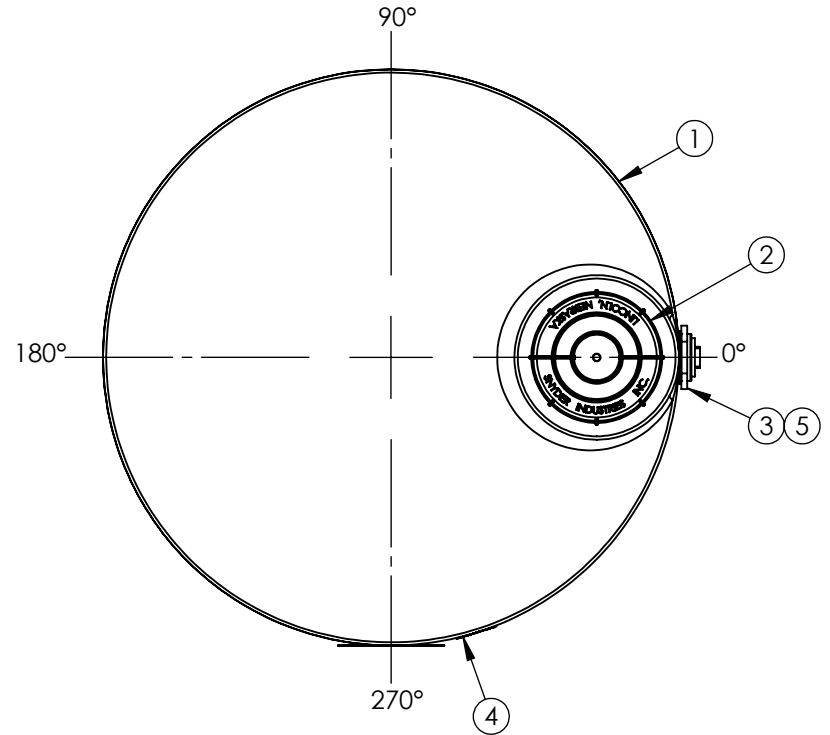
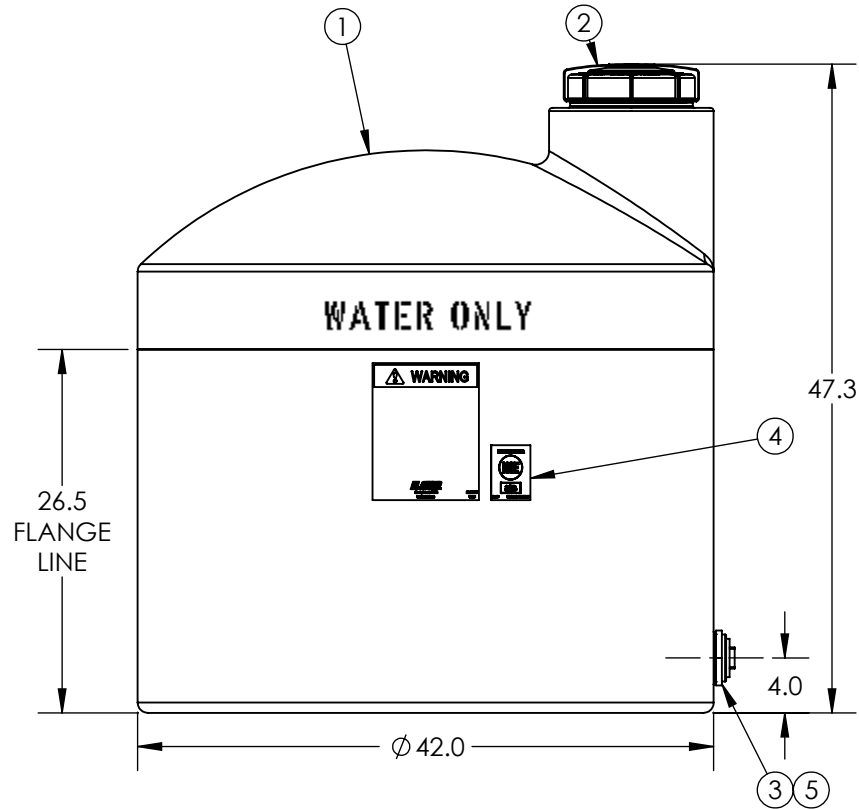



BLACK OR DARK OLIVE GREEN



5	1	60021	2" NPT PLUG
4	1	99700231	DECAL NSF MARK - WATER TKS
3	1	60405	FTG PP 2IN BH EPDM TXT
2	1	34700088	ASM CAP 10IN PE W/TIE
1	1	1540400W__02	ASM TK 205VDT X 42 WATER NH NOMW

ITEM NO.	QTY.	PART NUMBER	DESCRIPTION	
DO NOT SCALE		DRAWN BY	TITLE:	
Released		IGG	 ASM TK 205VDT X 42 WATER	
© SNYDER INDUSTRIES INC., 2016			PART NO.	REVISION
<small>ALL DIMENSIONS, DESIGNS, AND INFORMATION ON THIS PRINT MUST BE CONSIDERED PROPRIETARY TO SNYDER INDUSTRIES, INC. AND MAY NOT BE USED, COPIED, OR DISTRIBUTED WITHOUT WRITTEN PERMISSION OF AN OFFICER (OR HIS AGENT) OF THE FIRM.</small>			1540400W__03	A
<small>(402) 467-5221 www.snydernet.com</small>			ENG. ID.	SHEET
			D006442	1 OF 1

*ALL EXTERNAL PIPING MUST BE INDEPENDENTLY SUPPORTED.
 *ONLY BASE FITTINGS TO BE LEFT INSTALLED AT TIME OF SHIPMENT PER SII PROCEDURE.
 ALL DIMENSIONS ARE IN INCHES, NOMINAL, & SUBJECT TO CHANGE WITHOUT NOTICE.
 ALL DIMENSIONS ON ROTATIONAL MOLDED PARTS ARE SUBJECT TO A ± 3% TOLERANCE.