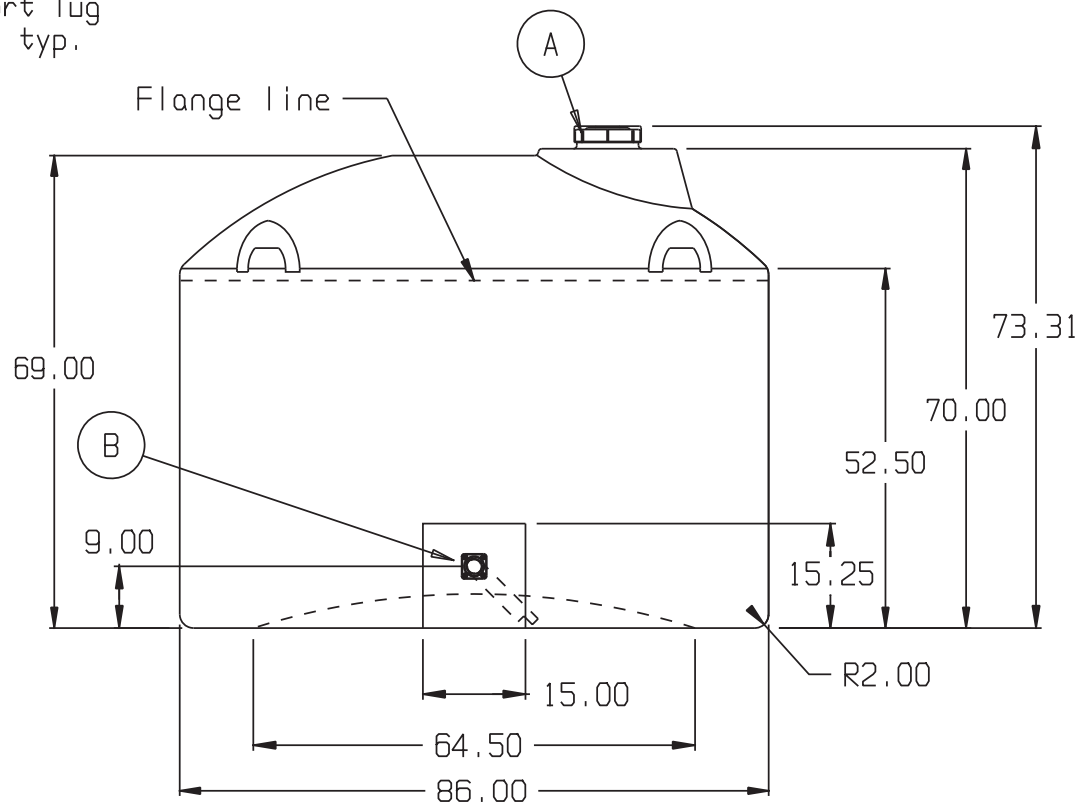
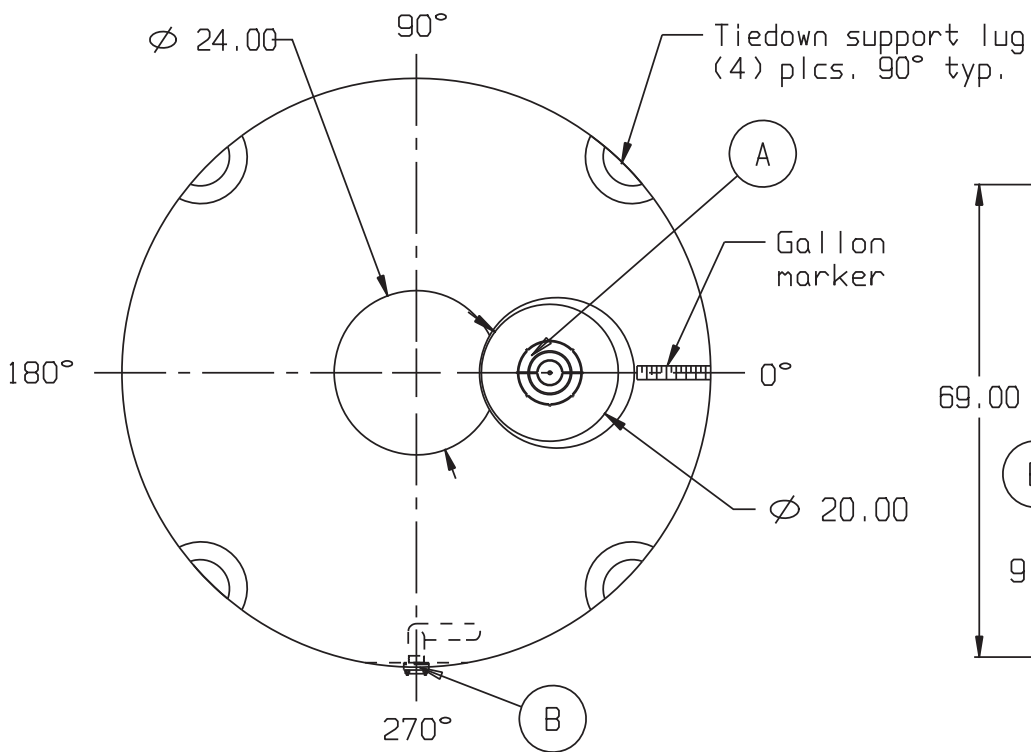


WATER

SNYDER INDUSTRIES INC.



- A. 10" PE THREADED-VENTED FILL CAP W/7" ACCESS [P/N 34700088]
- B. 2" PP/PE BOLTED FTG SIPHON TUBE ASSY W/EPDM GASKETS & SS BOLTS [P/N 34700841]

\* BASE FITTINGS TO BE LEFT INSTALLED AT TIME OF SHIPMENT PER SII PROCEDURE  
 \* Consult Snyder's Guidelines for Use and Installation prior to delivery.  
 Available on-line at [www.snydernet.com](http://www.snydernet.com)

(all dimensions in inches)

PART # TANK: 1770000W94302 (L)  
 HDLPE/NAT/WATER

REF#: 0000

04/27/07

1,500 GALLON DOME BOTTOM TANK