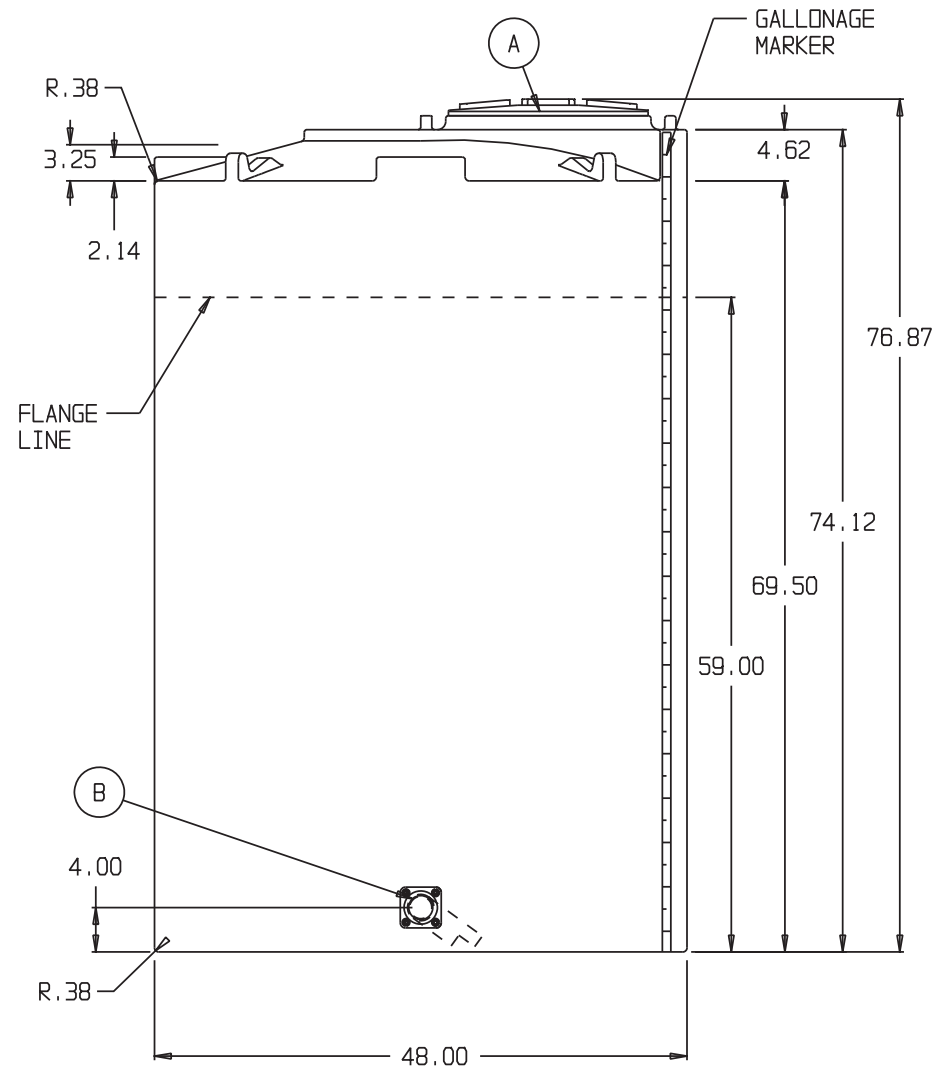
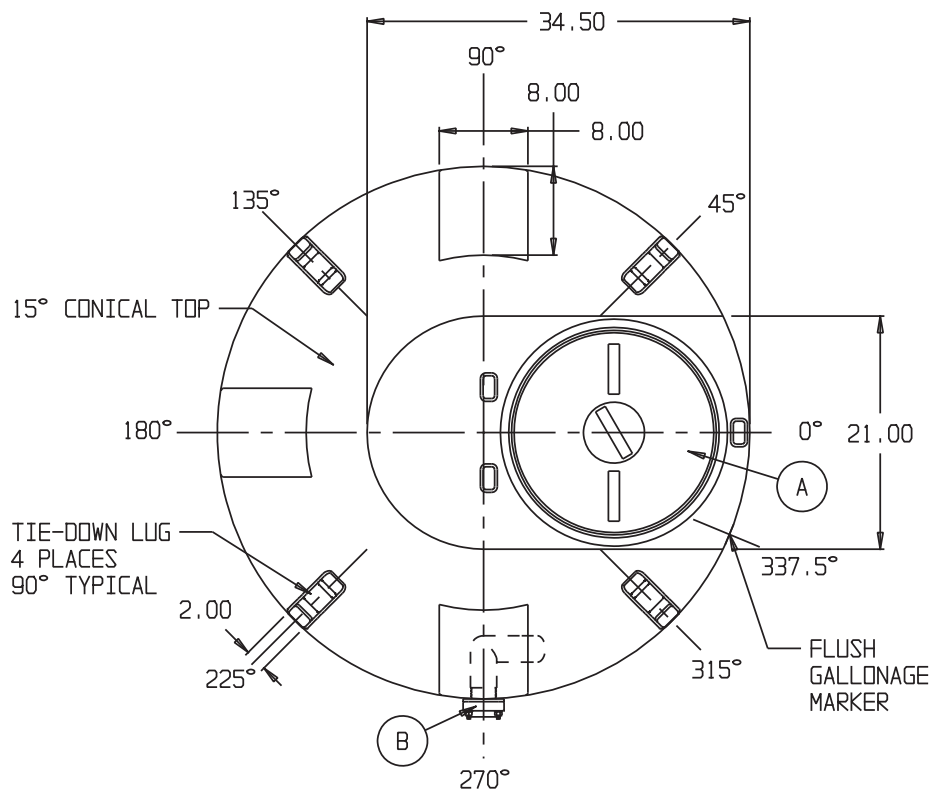


# WATER

# SNYDER INDUSTRIES INC.



- A. 18" PE THREADED-VENTED MANWAY W/15" ACCESS [P/N 34700087]
- B. 2" PP BOLTED FTG SHORT SIPHON TUBE ASSY W/EPDM GASKETS & SS BOLTS [P/N 34700842]

\* BASE FITTINGS TO BE LEFT INSTALLED AT TIME OF SHIPMENT PER SII PROCEDURE  
 \* Consult Snyder's Guidelines for Use and Installation prior to delivery.  
 Available on-line at [www.snydernet.com](http://www.snydernet.com)

(all dimensions in inches)

PART #	TANK:	1800200W94301
		HDLPE/NAT/WATER
REF#:	00000	04/27/07

## 550 GALLON FLAT BOTTOM TANK