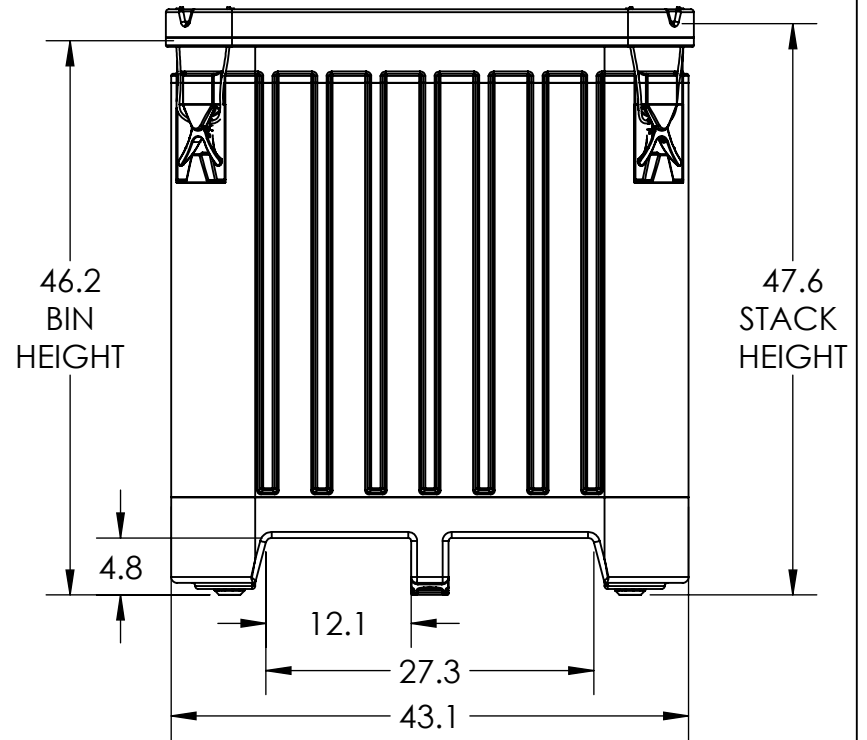
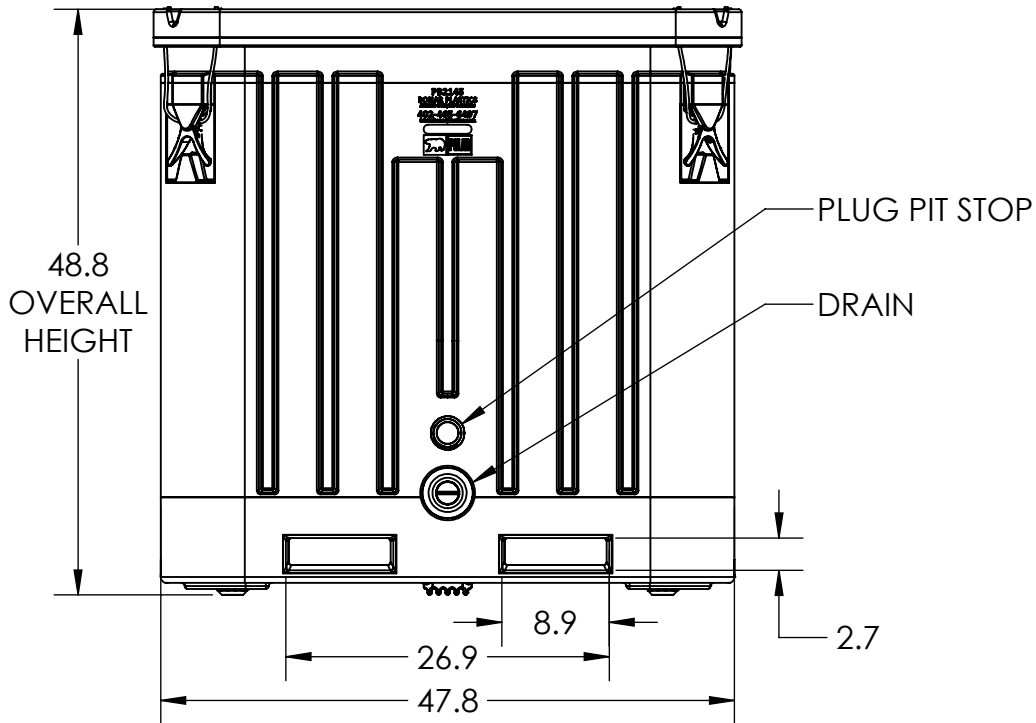
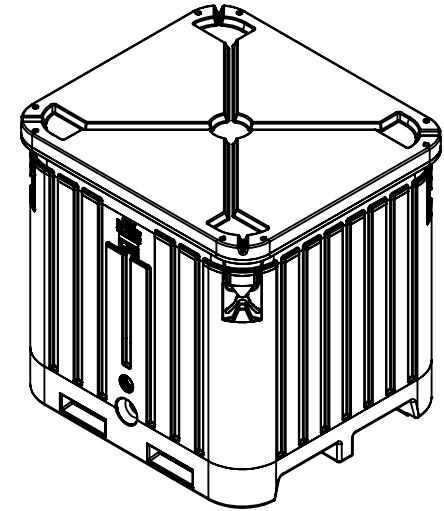


INTERNAL DIMENSIONS:

L: 35.2"  
 W: 43.0"  
 H: 37.7"



ALL DIMENSIONS ARE IN INCHES, NOMINAL, & SUBJECT TO CHANGE WITHOUT NOTICE.  
 ALL DIMENSIONS ON ROTATIONAL MOLDED PARTS ARE SUBJECT TO A  $\pm$  3% TOLERANCE.

DO NOT SCALE		DRAWN BY	BONAR PLASTICS		REVISION
STATUS: <b>Released</b>		TJK	www.bonarplastics.com		<b>A</b>
© SNYDER INDUSTRIES INC., 2016		1005 Atlantic Drive West Chicago, IL 60185 (630)293-0303		TITLE: <b>ASM INSUL BIN PB2145 WD FISH</b>	
ALL DIMENSIONS, DESIGNS, AND INFORMATION ON THIS PRINT MUST BE CONSIDERED PROPRIETARY TO SNYDER INDUSTRIES, INC. AND MAY NOT BE USED, COPIED, OR DISTRIBUTED WITHOUT WRITTEN PERMISSION OF AN OFFICER (OR HIS AGENT) OF THE FIRM.		www.bonarplastics.com		PART NO. <b>1932801M__02</b>	ENG. ID. <b>D005588</b>
					SHEET 1 OF 1