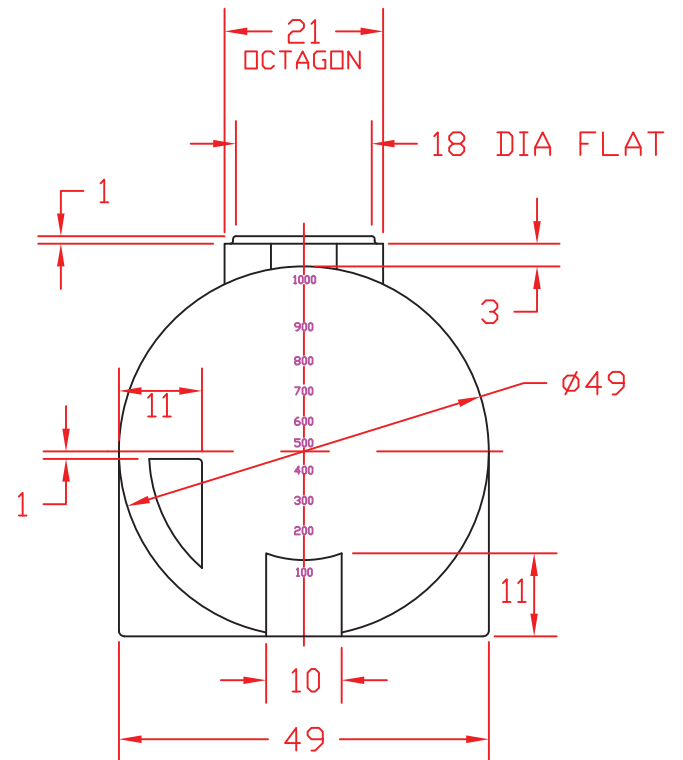
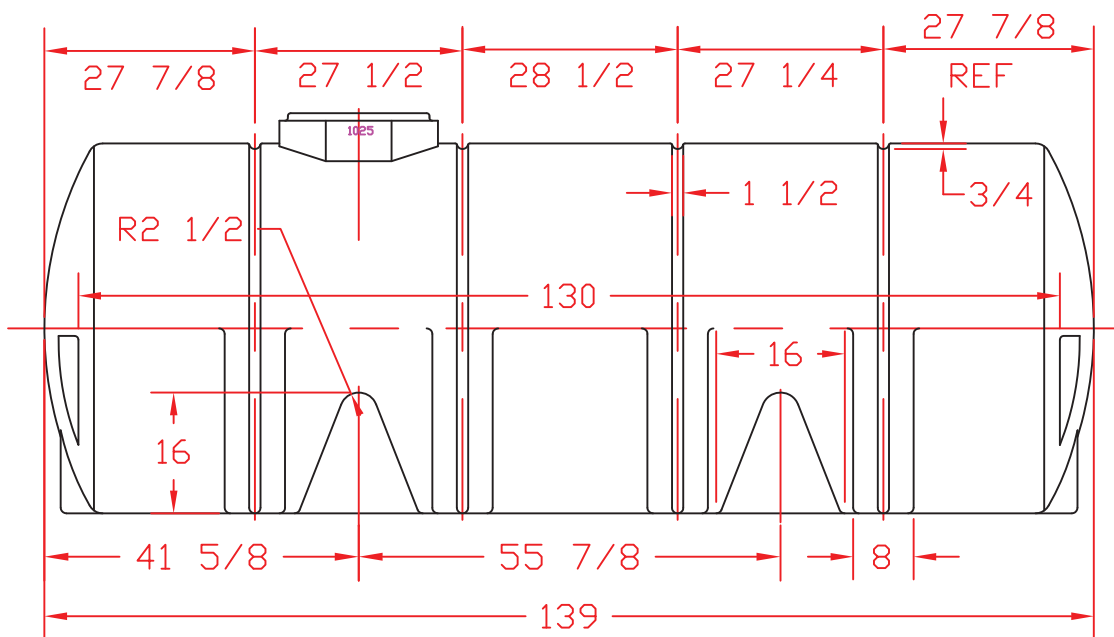



REVISIONS				
ZONE	REV	DESCRIPTION	DATE	APPROVED
	C	REDRAWN	06MAY97	



				
		ST. BONIFACIUS, MN		
		1025 GALLON HORIZONTAL STORAGE TANK		
JTP	06MAY97	SIZE A	FSCM NO.	DWG NO.
		SCALE 1/24		REV C
		SHEET		