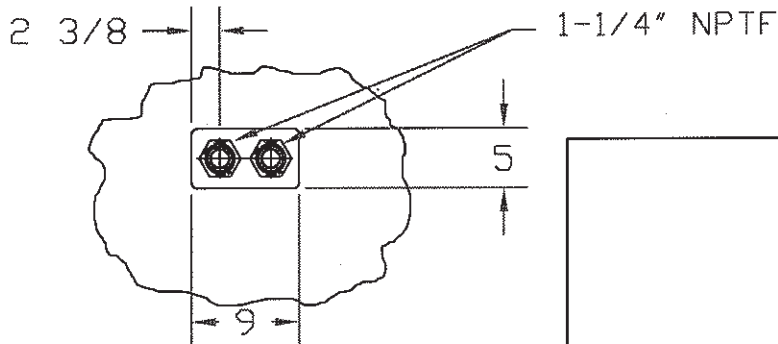
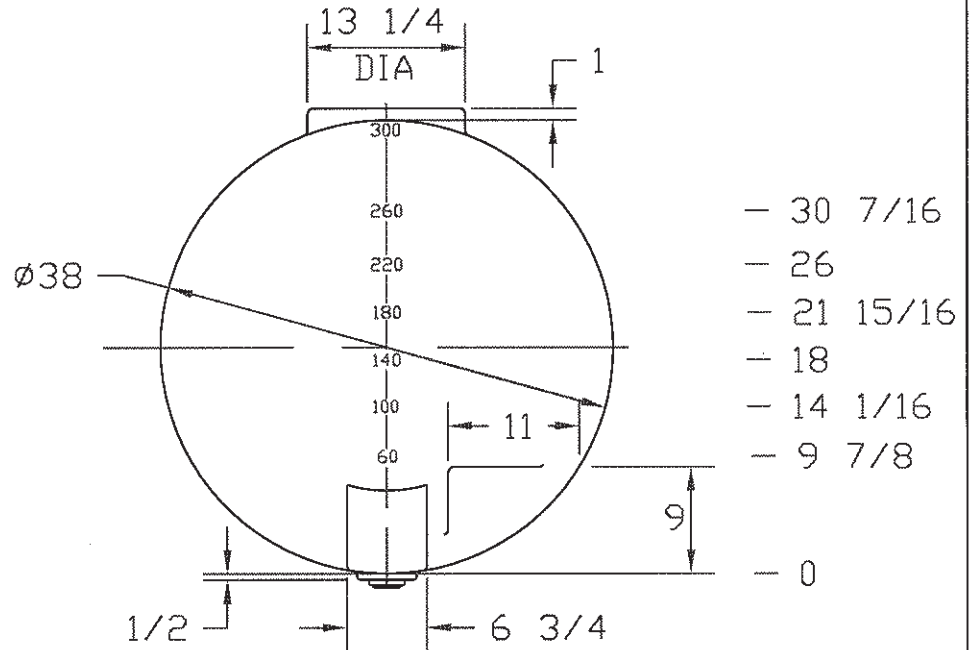
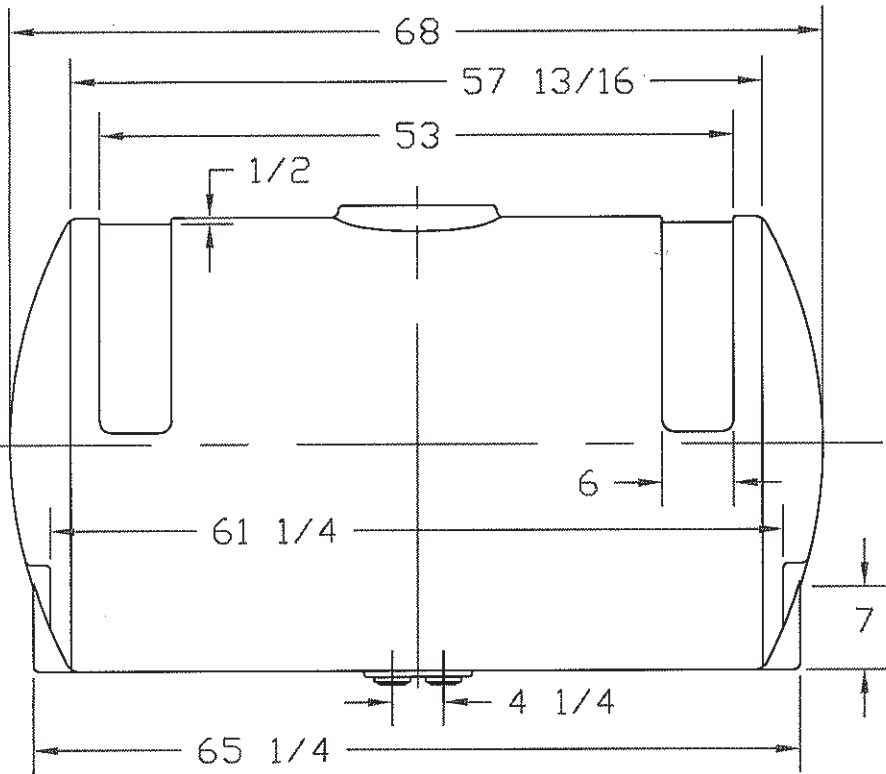


REVISIONS				
ZONE	REV	DESCRIPTION	DATE	APPROVED
	C	REDRAWN	20AUG97	
	D	FITTINGS UPDATED	09DEC02	



		ST. BONIFACIUS, MN 300 GALLON APPLICATOR TANK		
JTP	20AUG97	SIZE A	FSCM NO.	DWG NO.
		SCALE 1/16	SHEET	