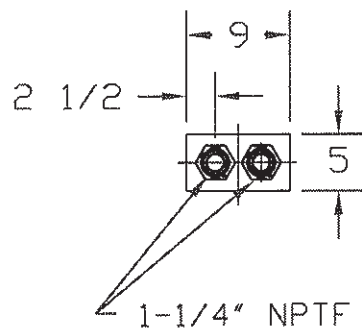
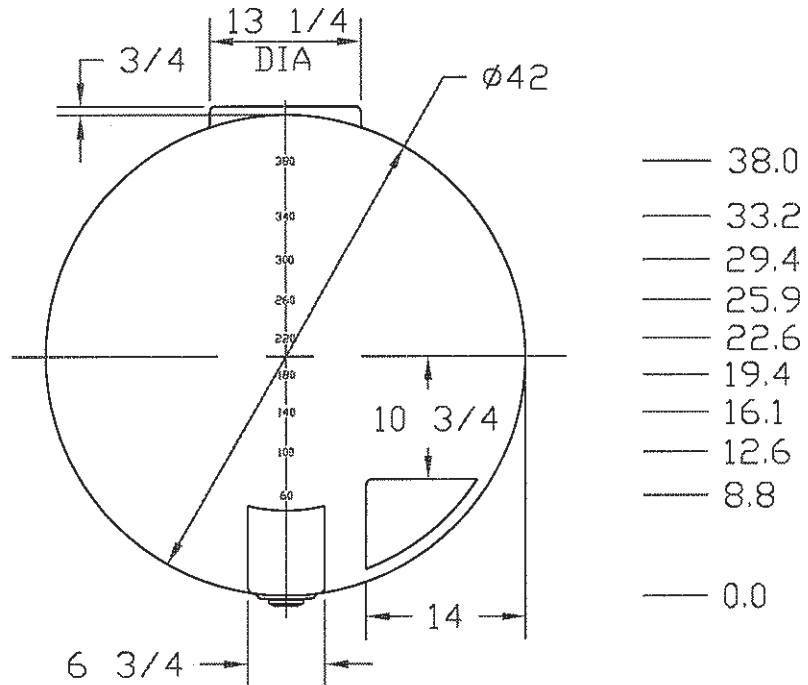
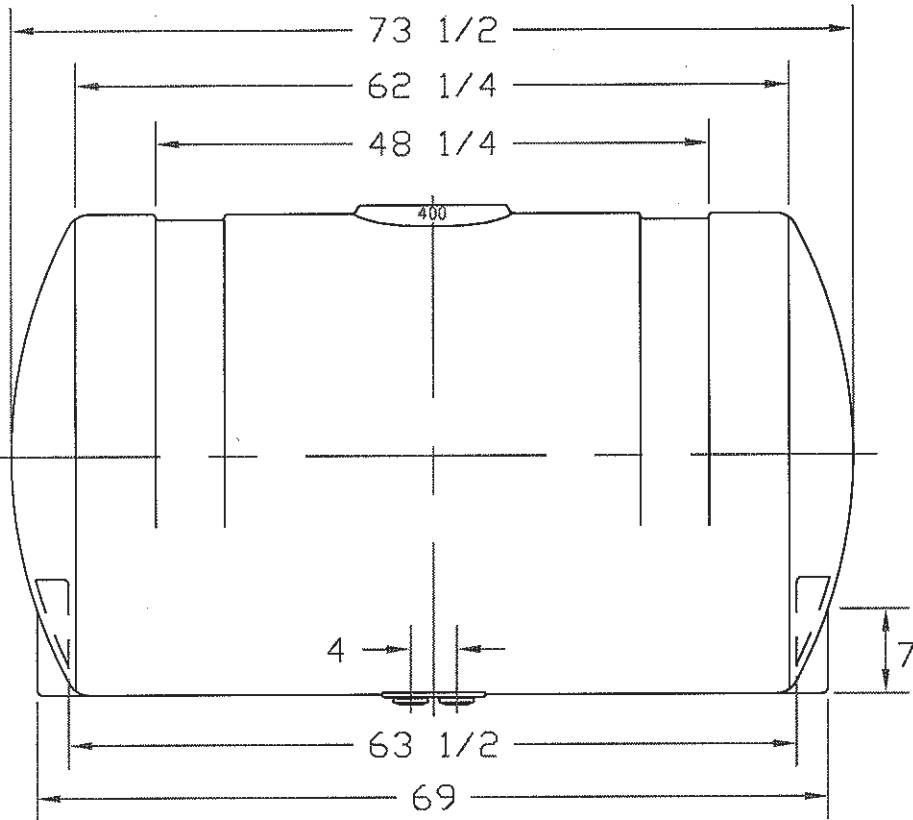


REVISIONS				
ZONE	REV	DESCRIPTION	DATE	APPROVED
	C	REDRAWN	22AUG97	
	D	FITTINGS UPDATED	09DEC02	



JTP 22AUG97				
		ST. BONIFACIUS, MN 400 GALLON APPLICATOR TANK		
SIZE A	FSCM NO.	DWG NO.	REV D	
SCALE 1/16		SHEET		