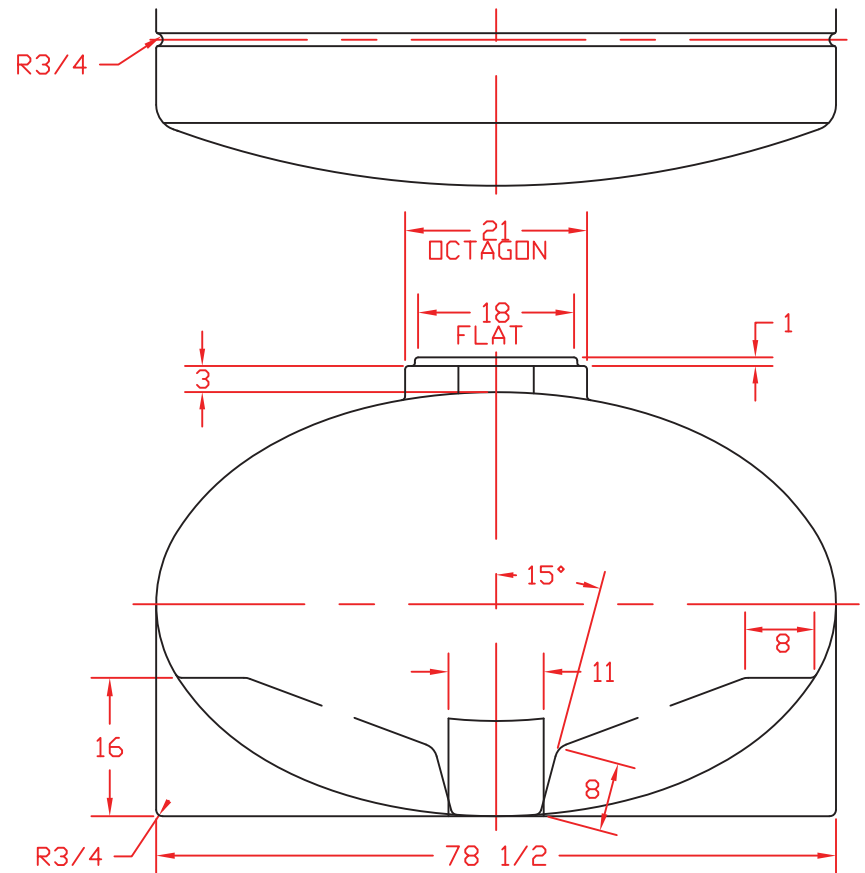


REVISIONS				
ZONE	REV	DESCRIPTION	DATE	APPROVED
	E	REDRAWN	25JUN97	
	F	SPARGER FLATS REVISED	23OCT98	
	G	SPARGER FLATS RMVD.	07MAR01	



		NORWESCO			REV G
		ST. BONIFACIUS, MN			
		1035 GALLON ELLIPTICAL LEG TANK			SCALE 1/16
JTP	25JUN97	SIZE B	FSCM NO.	DWG NO.	
		SHEET			