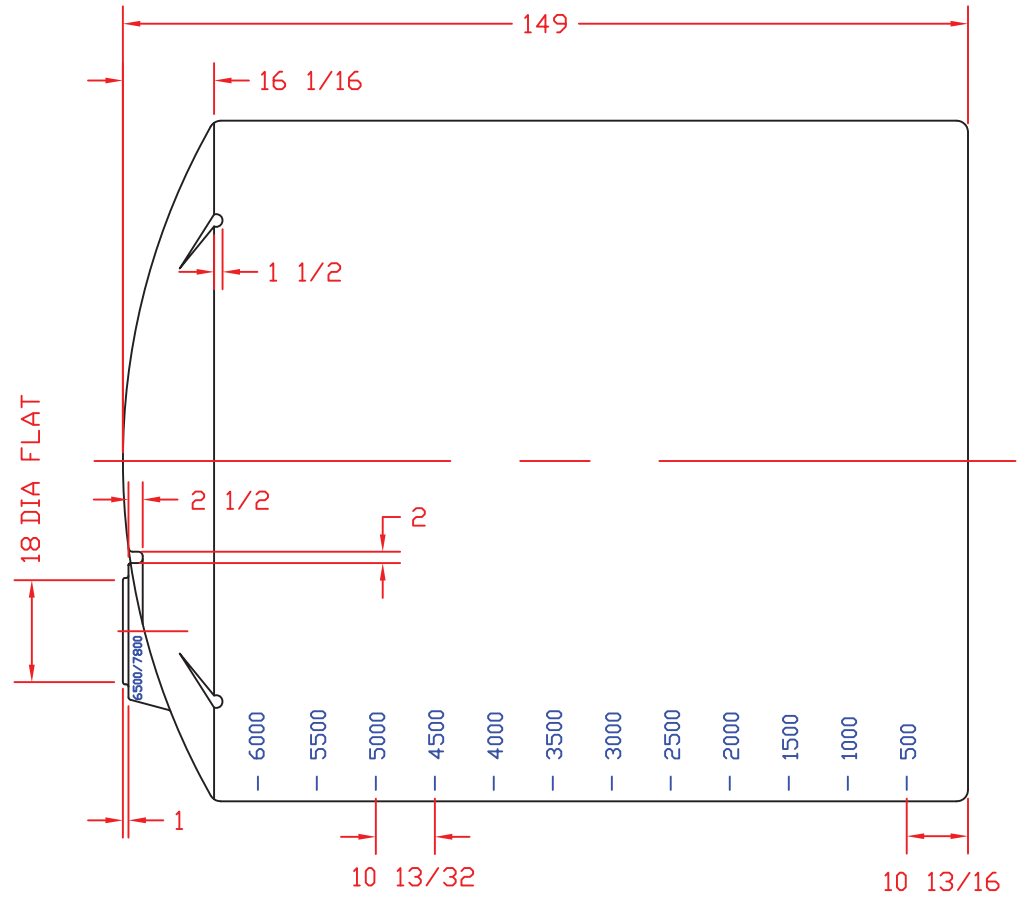
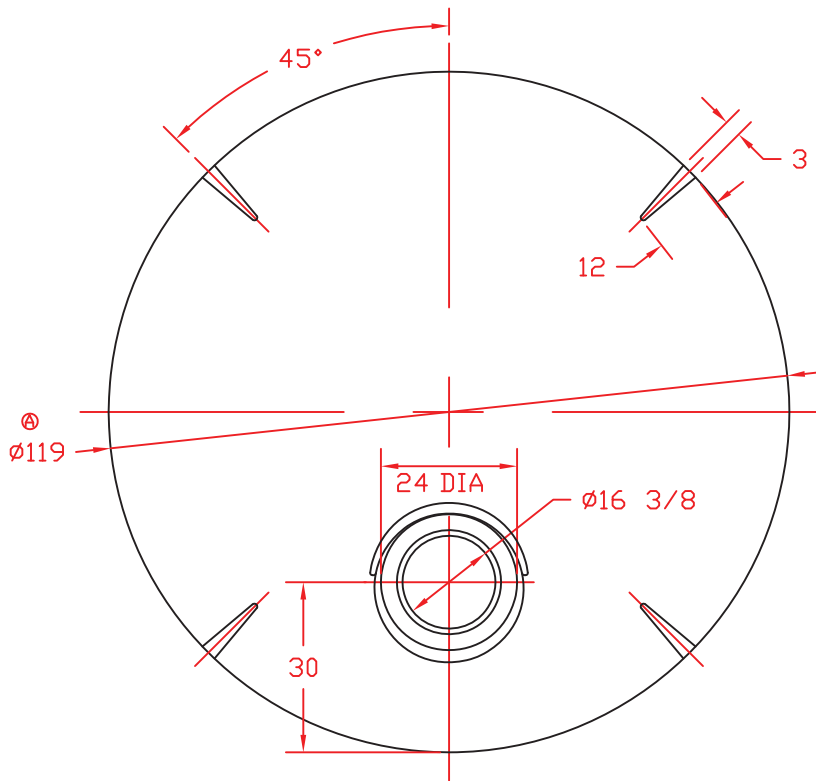


| REVISIONS |     |                      |      |          |
|-----------|-----|----------------------|------|----------|
| ZONE      | REV | DESCRIPTION          | DATE | APPROVED |
|           | A   | UPDATE TO PRODUCTION |      | 08SEP06  |



|     |         |                                       |          |          |
|-----|---------|---------------------------------------|----------|----------|
|     |         | <b>NORWESCO</b><br>ST. BONIFACIUS, MN |          |          |
|     |         | 6500 GALLON VERTICAL TANK             |          |          |
| JTP | 26AUG94 | SIZE<br>B                             | FSCM NO. | DWG NO.  |
|     |         | SCALE 1/24                            | SHEET    |          |
|     |         |                                       |          | REV<br>A |