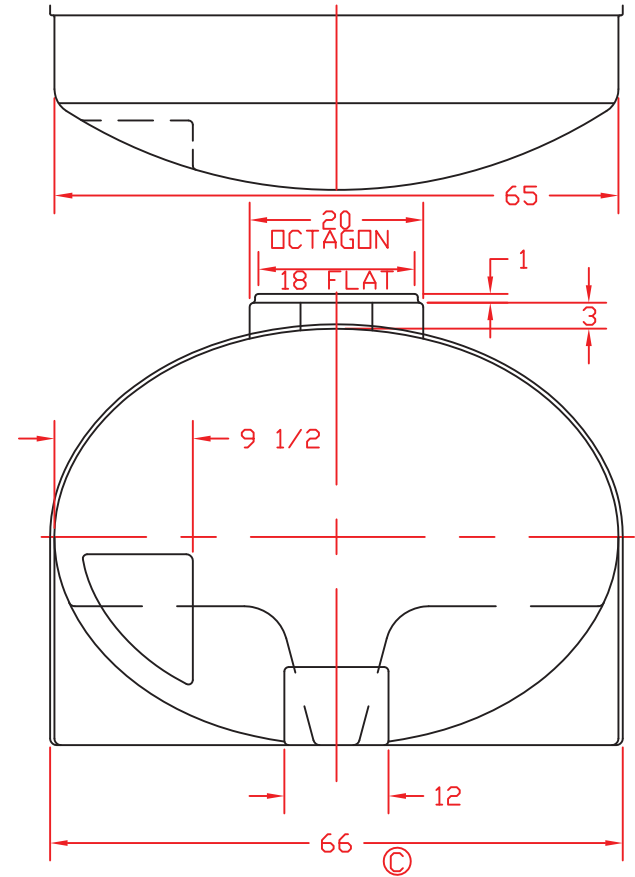
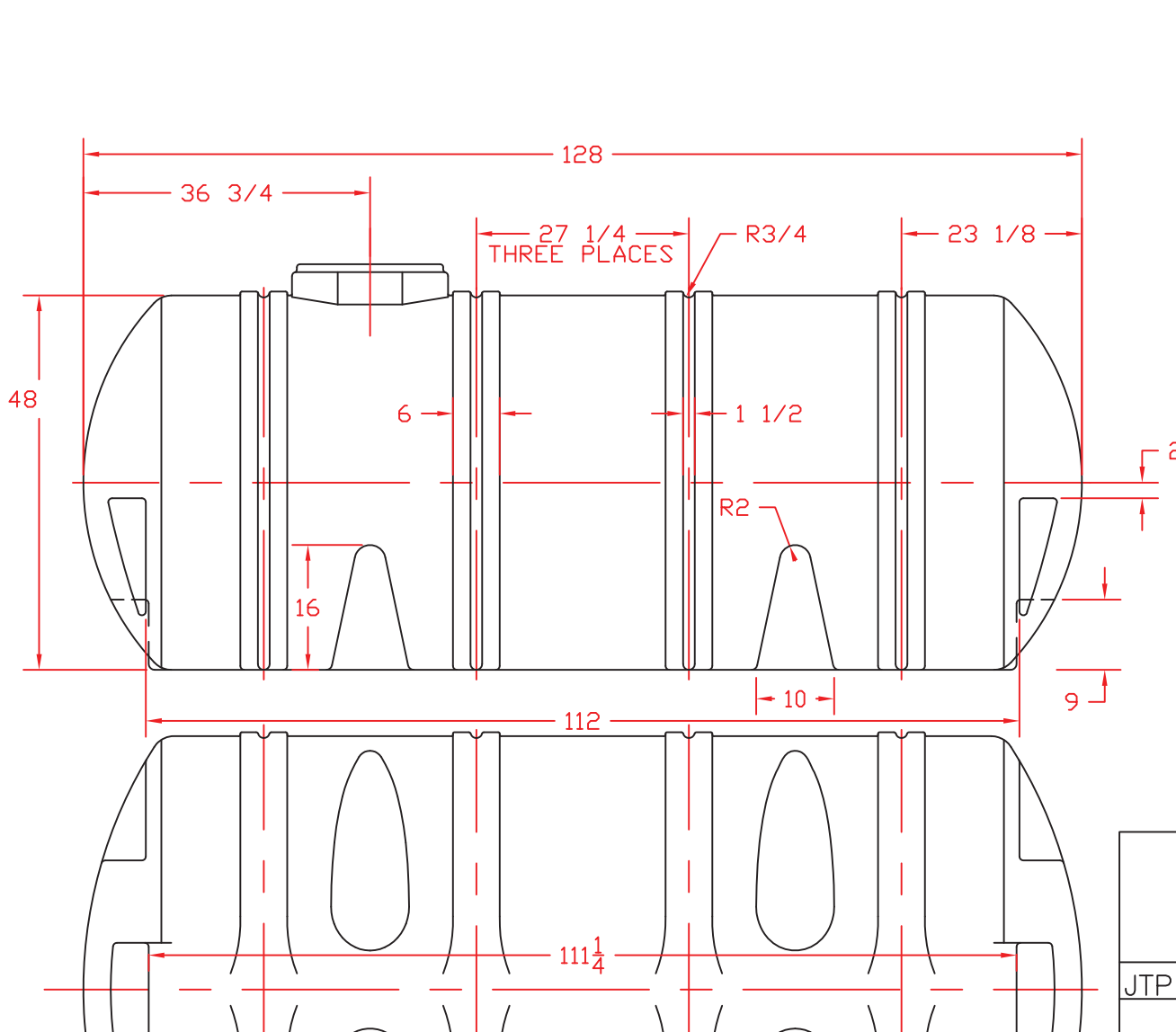


REVISIONS				
ZONE	REV	DESCRIPTION	DATE	APPROVED
	C	ADDED DIM	09FEB04	

REVISIONS				
ZONE	REV	DESCRIPTION	DATE	APPROVED
	A	REDRAWN	27JUN97	
	B	SPARGER FLATS REVISED	23OCT98	



		ST. BONIFACIUS, MN			
		1235 GALLON ELLIPTICAL LEG TANK			
JTP	27JUN97	SIZE B	FSCM NO.	DWG NO.	REV C
SCALE 1/16		SHEET			