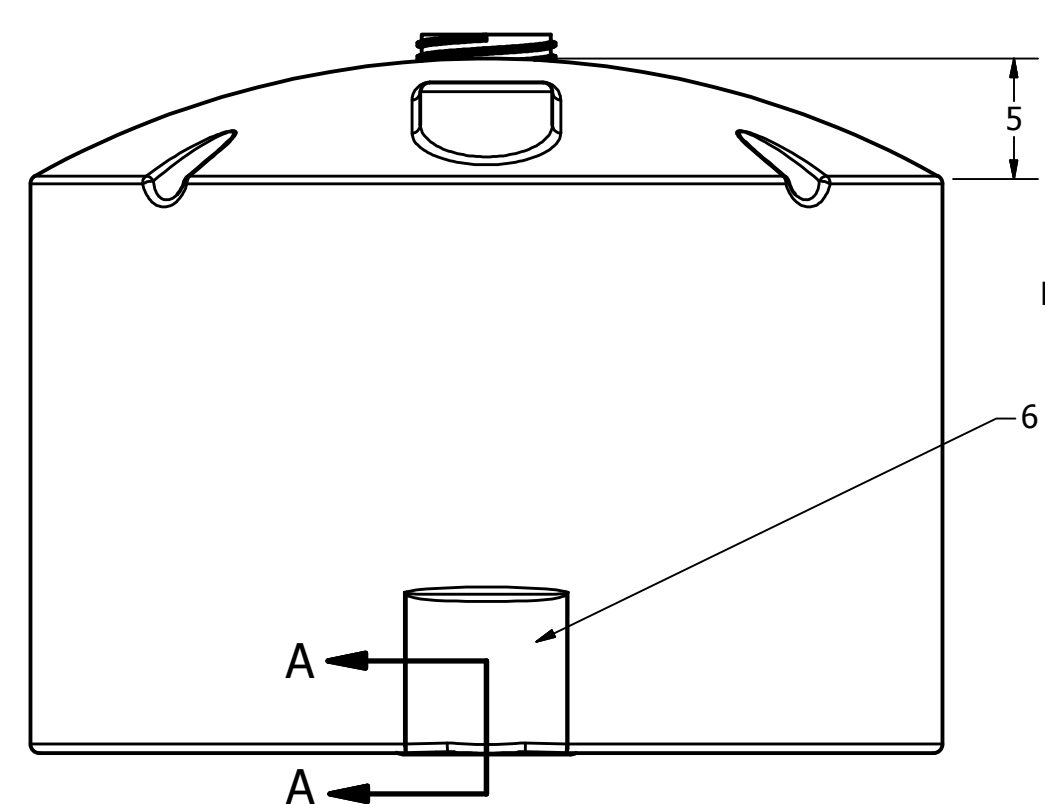
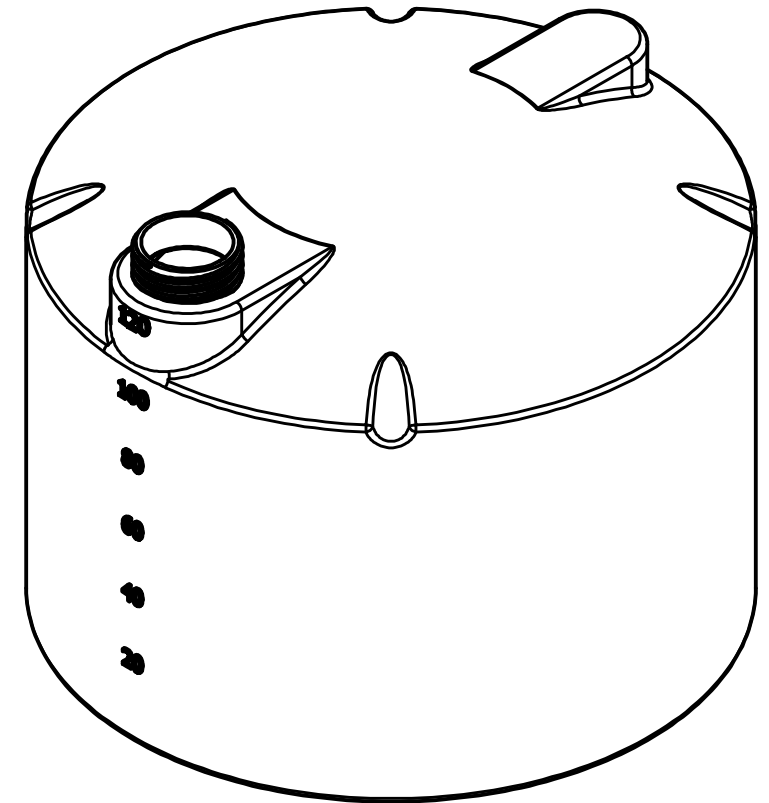
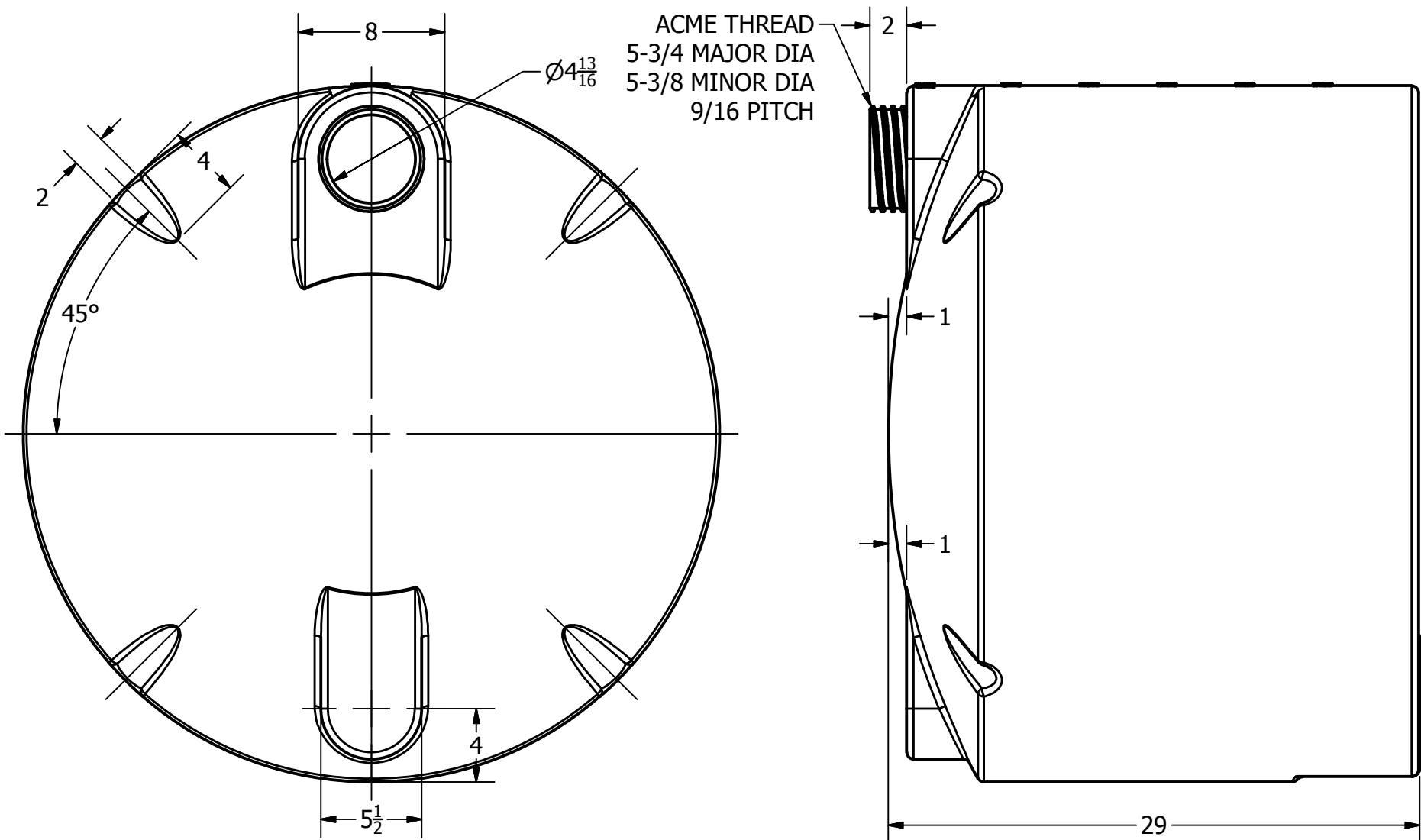


REVISION HISTORY

REV	DESCRIPTION	DATE	AUTHOR
B	REDRAWN	1/13/1997	
C	LID THREAD REVISED	2/9/2000	
D	WAS MINI BULK TANK	8/15/2011	
E	REDRAWN	7/16/2013	Michael Holden



SUMP WITH 4-SEGMENT LOCATOR FOR STANDPIPE



SECTION A-A
SCALE 1 : 6

DRAWN Jerry Paulson CHECKED QA MFG APPROVED	1/13/1997	NORWESCO, INC. SAINT BONIFACIUS, MN TITLE		
		120 GALLON VERTICAL TANK D		
	SIZE B	DWG NO	REV E	
SCALE: 1/16		SHEET 1 OF 2		