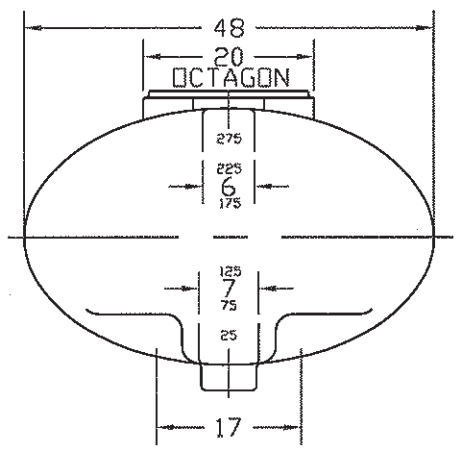
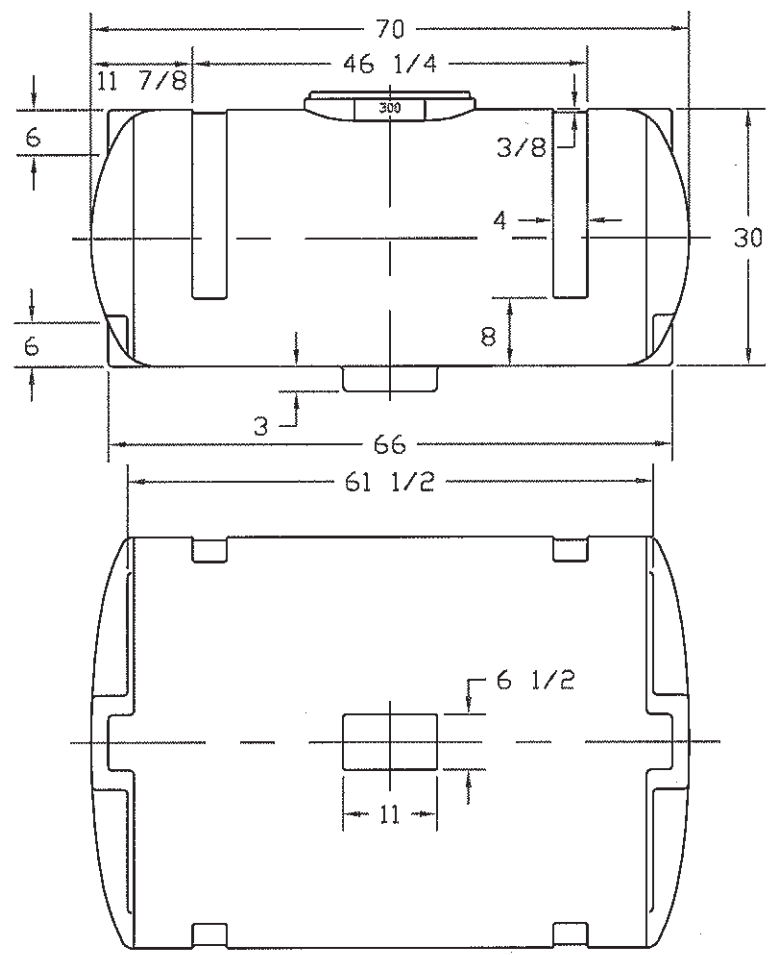
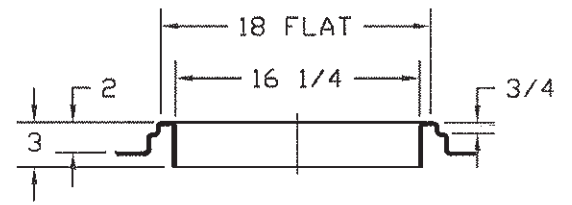


REVISIONS				
ZONE	REV	DESCRIPTION	DATE	APPROVED
	A	REDRAWN--FILL WAS 8"	21NOV95	



CL (4) SPARGER FLATS, 6 X 6



FILLWELL DETAIL

JTP 21NOV95				
		ST. BONIFACIUS, MN 300 GALLON ELLIPTICAL SPRAYER TANK		
SCALE 1/16	SIZE B	FSCM NO.	DWG NO.	REV A
SHEET				