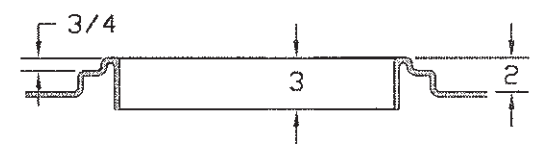
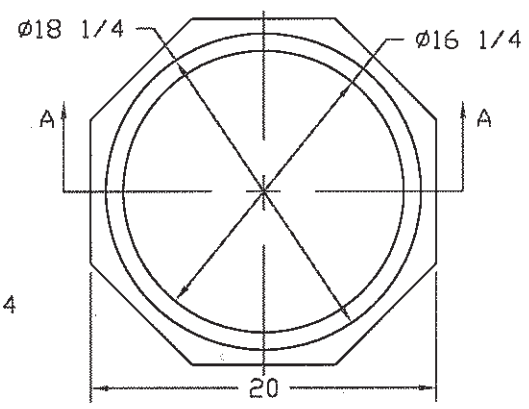
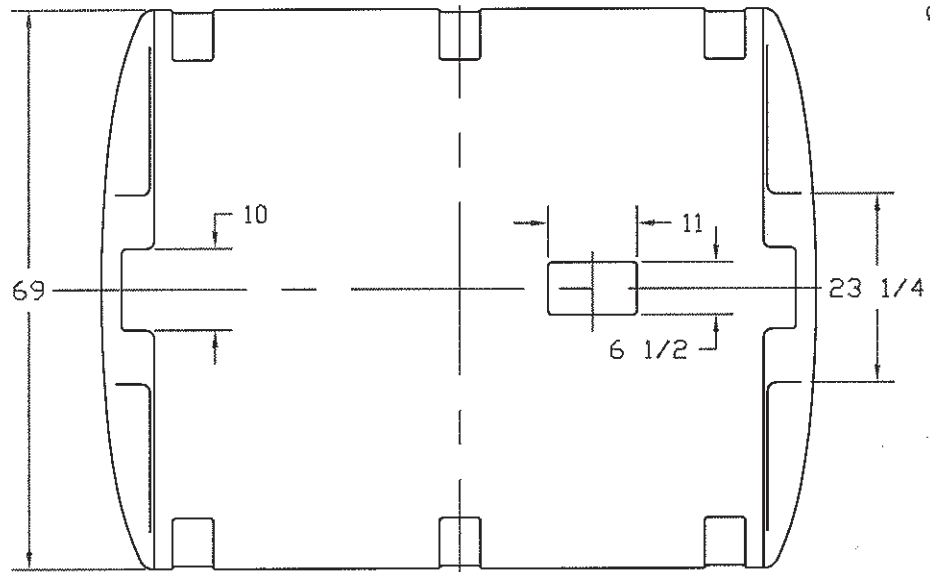
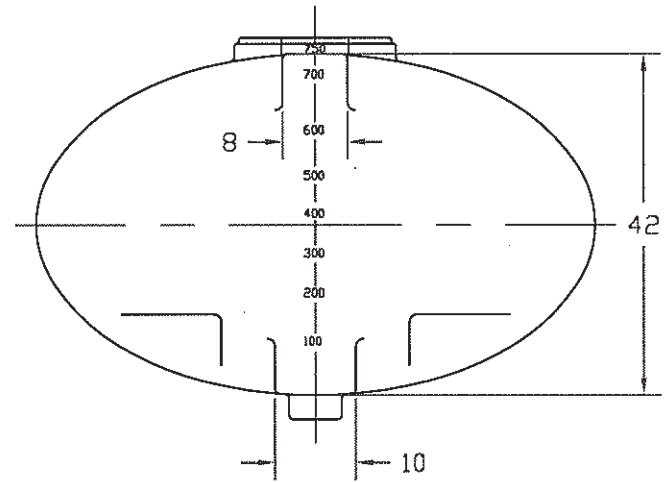
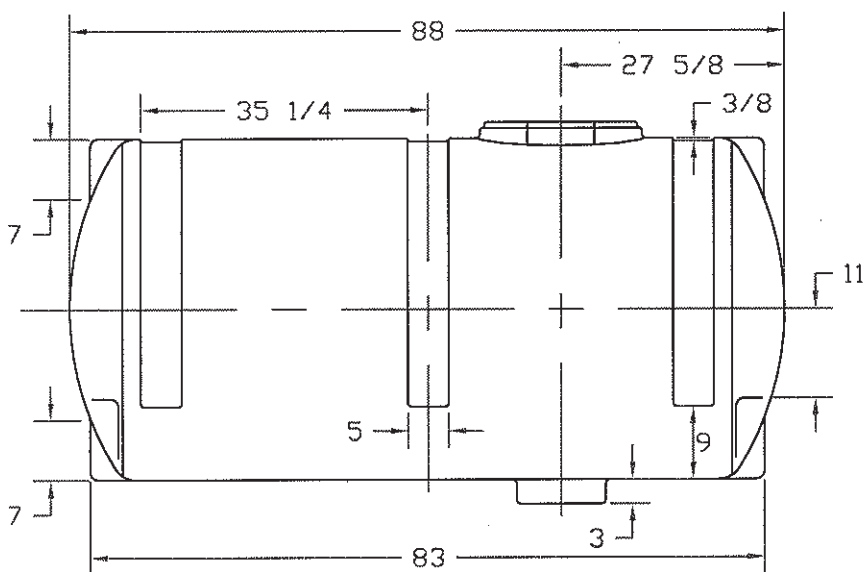


REVISIONS				
ZONE	REV	DESCRIPTION	DATE	APPROVED
	A	REDRAWN	29OCT96	



SECTION A-A

FILLWELL DETAILS
1/8 SCALE

JTP 29OCT96				ST. BONIFACIUS, MN	
SCALE 1/16		750 GALLON ELLIPTICAL TANK		REV	
SIZE B		FSCM NO.		DWG NO.	
SHEET		SHEET		SHEET	