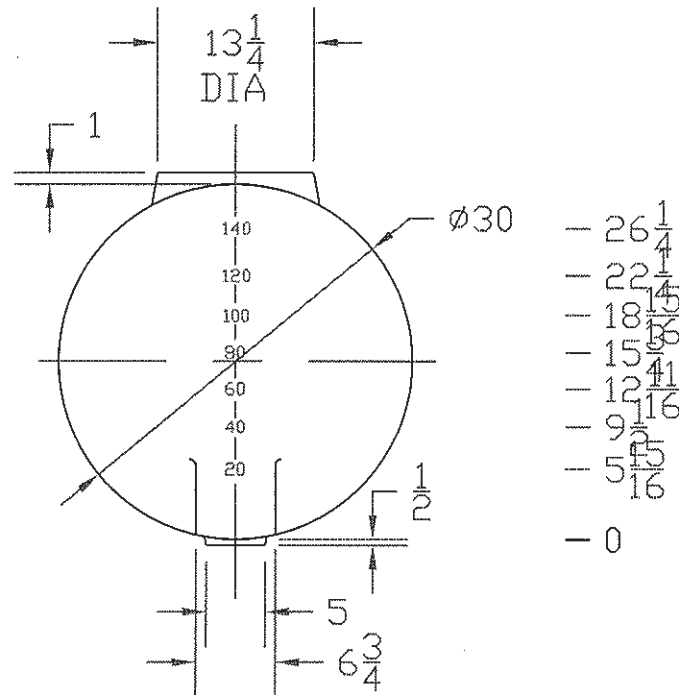
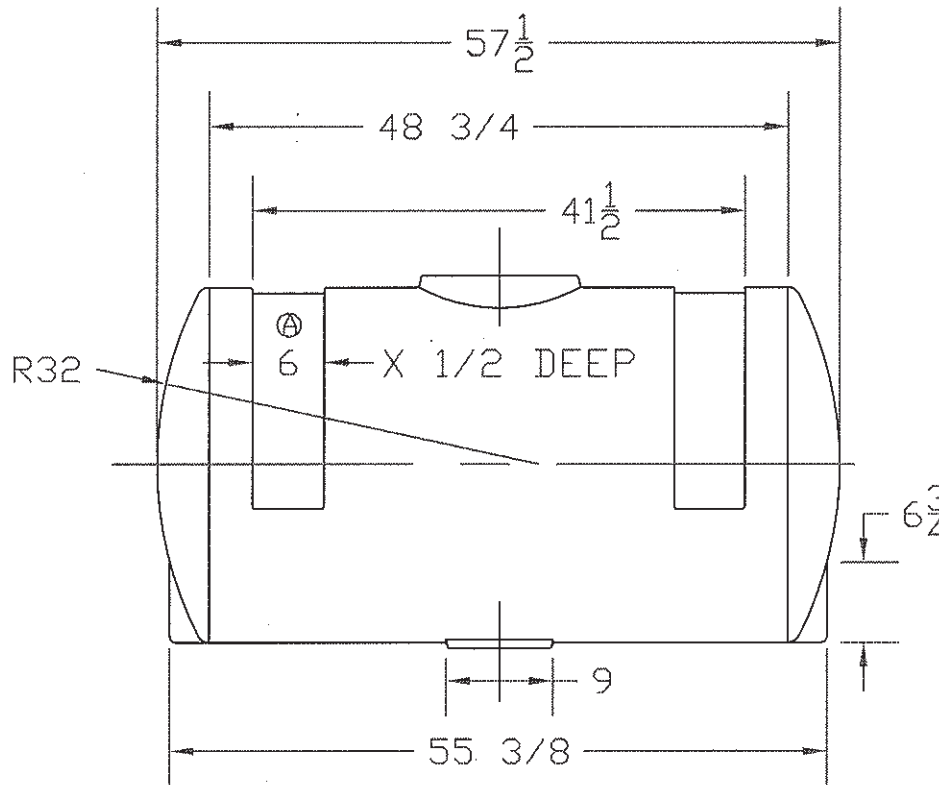


8 1/4 ACME THD,  
RH, FOR 60002 LID



REVISIONS

ZONE	REV	DESCRIPTION	DATE	APPROVED
	A	WAS 3	02SEP04	

**NORWESCO**

ST. BONIFACIUS, MN

150 GALLON X 30 DIAMETER  
APPLICATOR TANK

JTP 15SEP94

SIZE  
A

FSCM NO.

DWG NO.

REV  
A

SCALE 1/16

SHEET