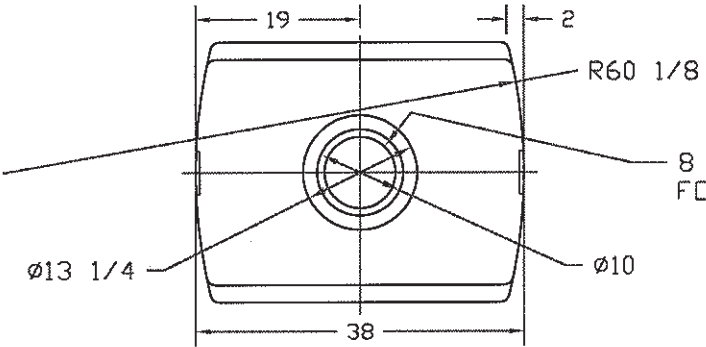
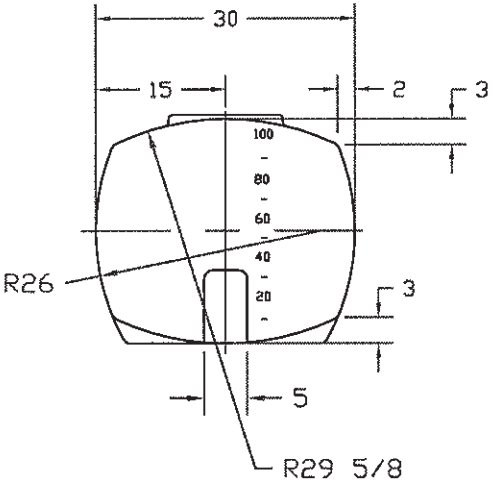
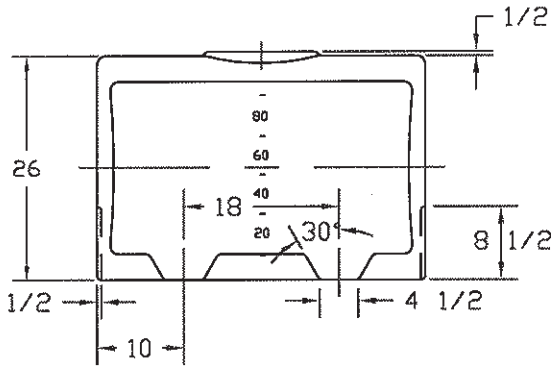


REVISIONS				
ZONE	REV	DESCRIPTION	DATE	APPROVED



8 1/4 ACME THREAD, RH
FOR 60002 LID



- 24 3/32
- 21 7/16
- 19
- 16 11/16
- 14 7/16
- 12 7/32
- 9 31/32
- 7 11/16
- 5 11/32
- 2 25/32
- 0

JTP 30JUN95		 ST. BONIFACIUS, MN		
		100 GALLON PCO TANK		
SCALE 1/16	FSCM NO.	DWG NO.	REV	
SHEET				