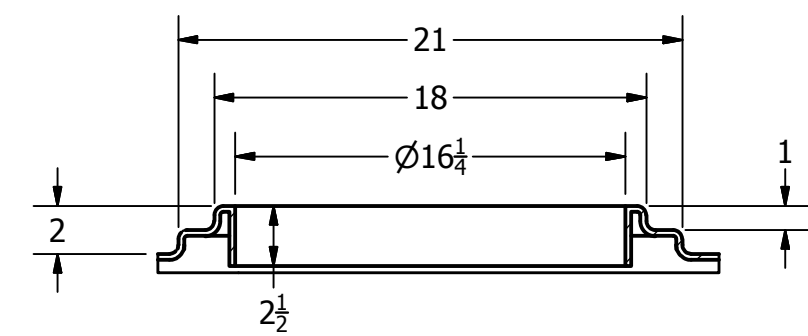
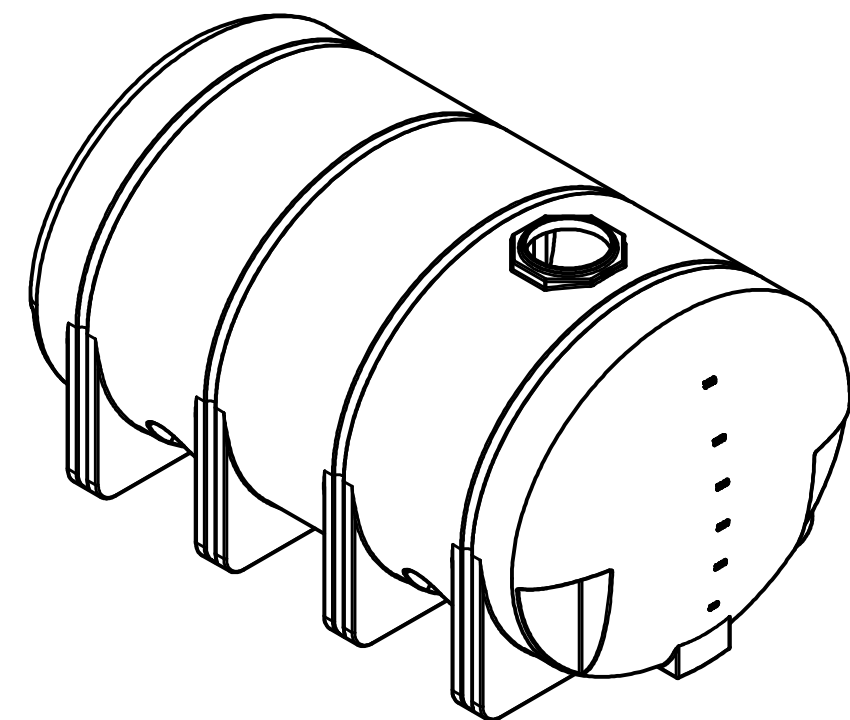



SECTION B-B
SCALE 1:28

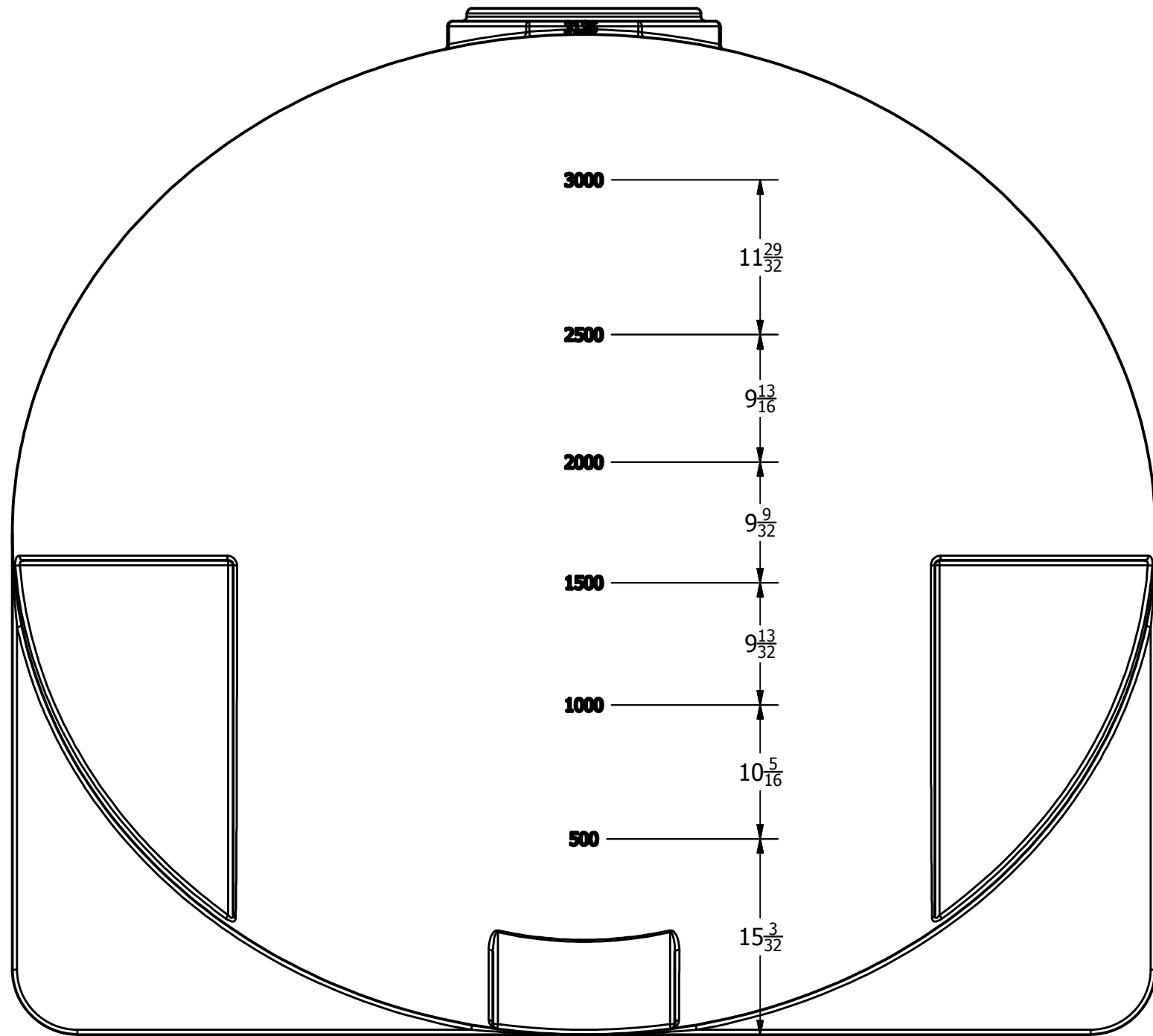



SECTION A-A
SCALE 1:8



FOB LANCASTER, OH & GRIFFIN, GA

REVISION HISTORY			
REV	DESCRIPTION	DATE	AUTHOR
C	WAS 1) 2) 12 3) 137 1/2	10/15/2008	
D	REDRAWN	8/6/2013	Michael Holden
DRAWN Jerry Paulson 6/29/1995		 NORWESCO, INC. SAINT BONIFACIUS, MN TITLE 3135 GALLON ELLIPTICAL LEG TANK	
CHECKED			
QA			
MFG			
APPROVED			
SIZE B	DWG NO	REV D	
SCALE: 1/16		SHEET 1 OF 2	



DRAWN Jerry Paulson	6/29/1995	 NORWESCO, INC. SAINT BONIFACIUS, MN		
CHECKED		TITLE		
QA		3135 GALLON ELLIPTICAL LEG TANK		
MFG				
APPROVED				
		SIZE B	DWG NO	REV D
		SCALE: 1/16	SHEET 2 OF 2	