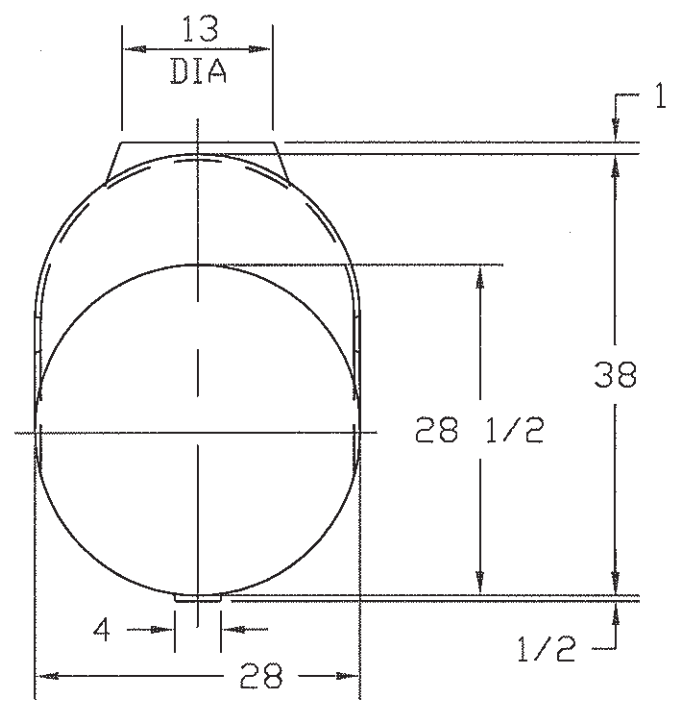
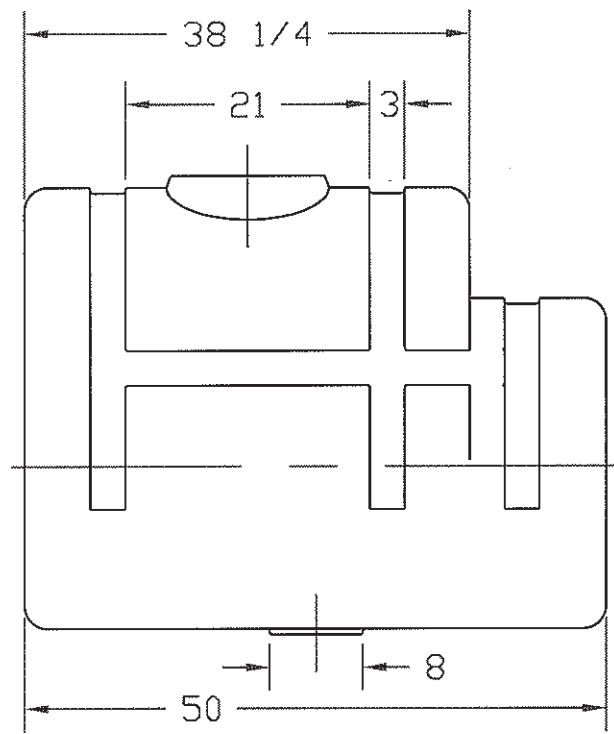
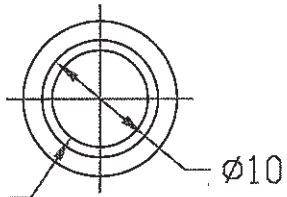


8 1/4 ACME THD,
RH, FOR 60002 LID



REVISIONS				
ZONE	REV	DESCRIPTION	DATE	APPROVED

JTP 16APR96		 ST. BONIFACIUS, MN		
		150 GALLON SLIM-LINE APPLICATOR TANK		
SCALE 1/16		FSCM NO.	DWG NO.	REV
		SHEET		