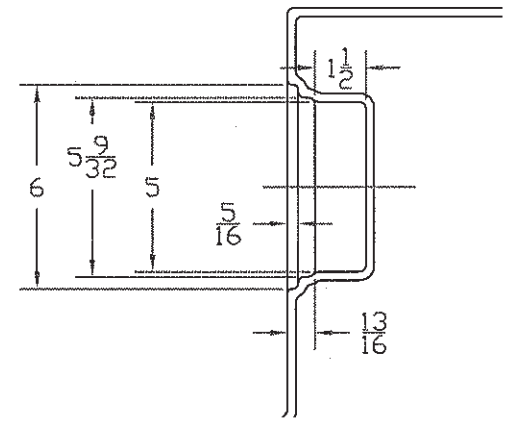
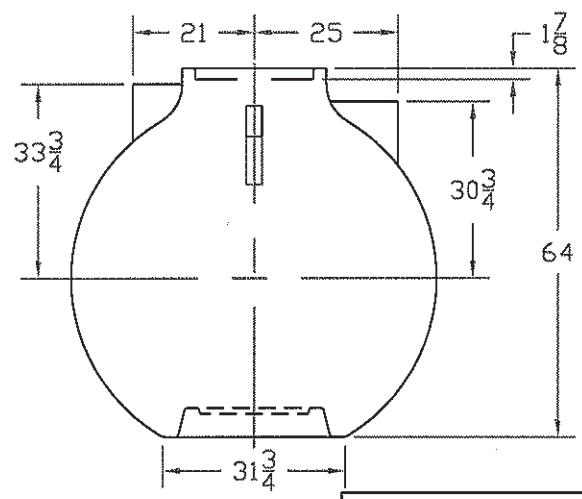
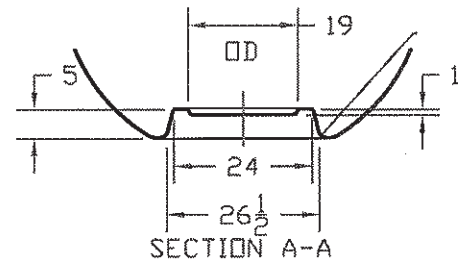
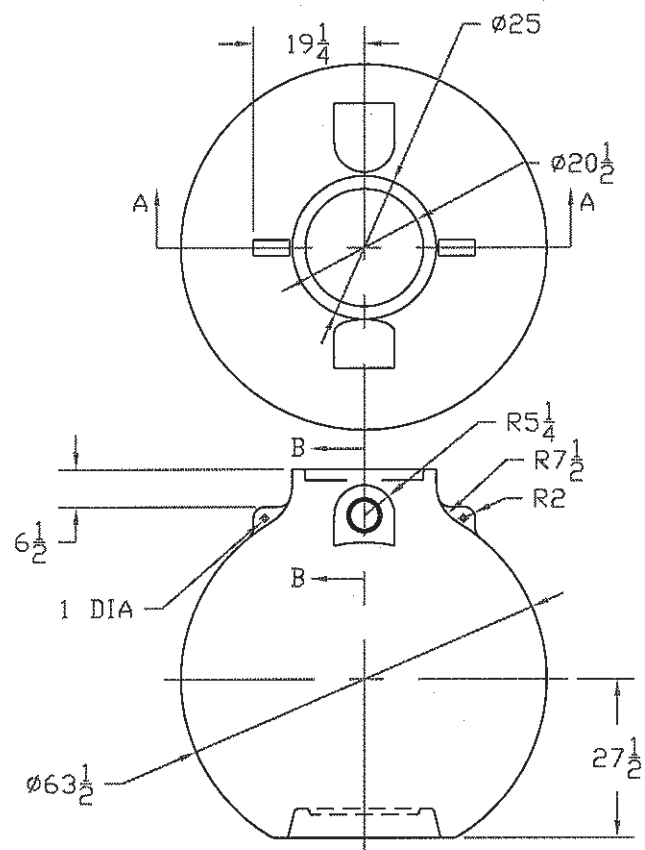


REVISIONS				
ZONE	REV	DESCRIPTION	DATE	APPROVED
	A	ADDED HUBBED INET DELETED LID NOTCHES	14OCT02	



SECTION B-B  
1/4 SCALE

NOTE: THIS GASKET RECESS  
IS AT INLET ONLY.  
OUTLET IS FLAT.

		<b>NORWESCO</b> ST. BONIFACIUS, MN		
		550 GALLON CISTERN		
JTP	02SEP98	SIZE B	FSCM NO.	DWG NO. 40856
		SCALE 1/24	SHEET	