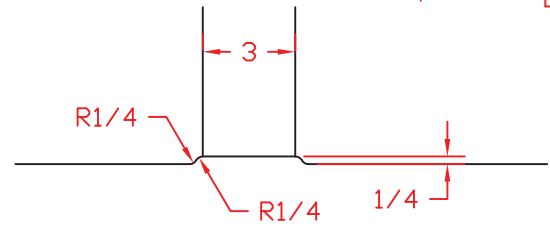
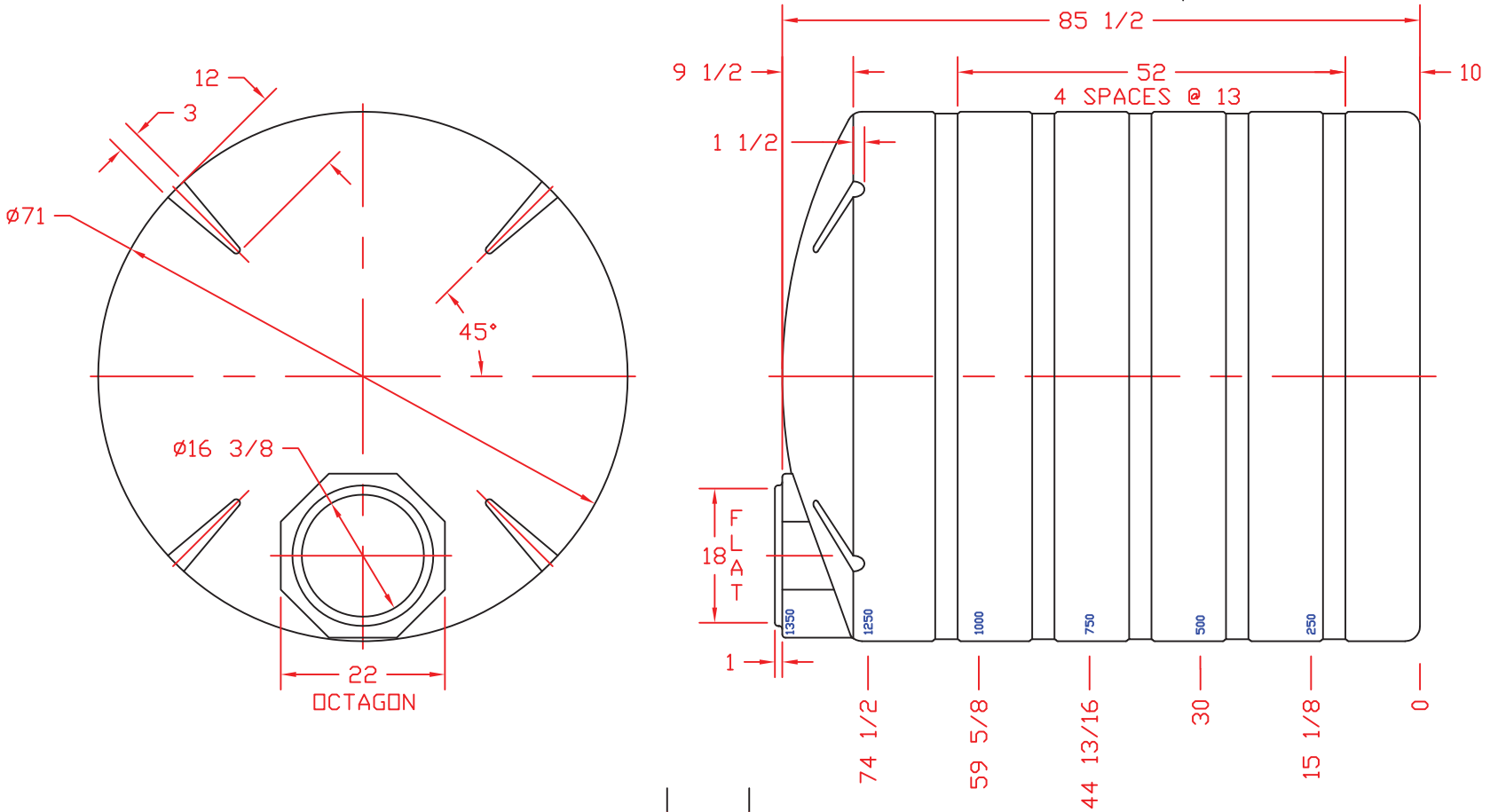


REVISIONS				
ZONE	REV	DESCRIPTION	DATE	APPROVED
	A	WAS 46019	19OCT98	
	B	WAS DWG NO 40860	15OCT03	



JTP 17JAN96		NORWESCO		REV B
		ST. BONIFACIUS, MN		
SIZE B		1350 GALLON VERTICAL TANK		SHEET
SCALE 1/16		DWG NO.		