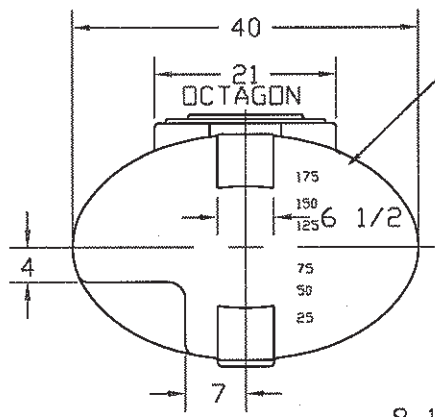
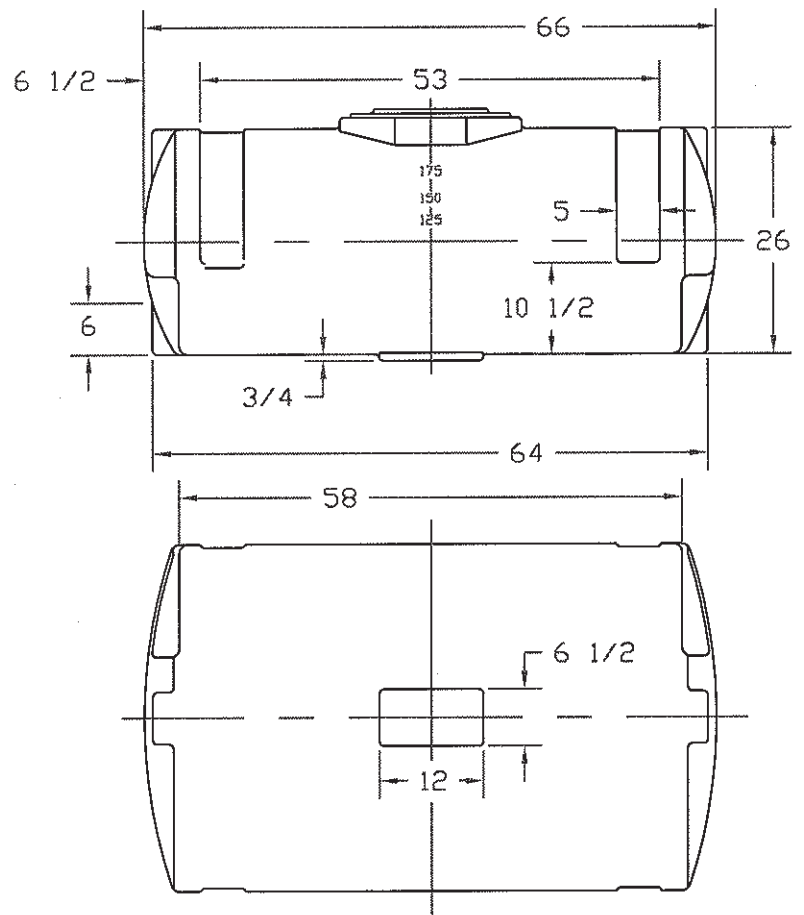
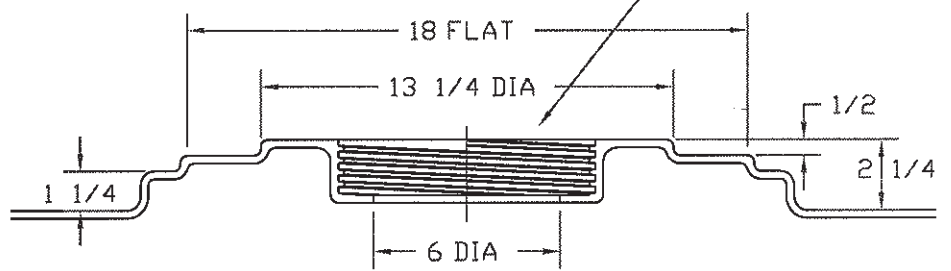


REVISIONS				
ZONE	REV	DESCRIPTION	DATE	APPROVED



GALLON MARKERS THIS END AND TOP HALF OF BOTH SIDES

8 1/4 OD X 3/4 PITCH
DOUBLE-LEAD ACME THREAD
FOR 60002 LID



FILLWELL DETAIL
1/4 SCALE

JTP 07SEP99				
		ST. BONIFACIUS, MN 200 GALLON ELLIPTICAL SPRAYER TANK		
SCALE 1/16	SIZE B	FSCM NO.	DWG NO.	REV
SHEET				