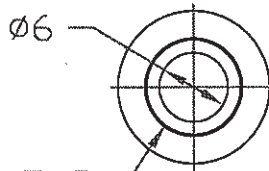
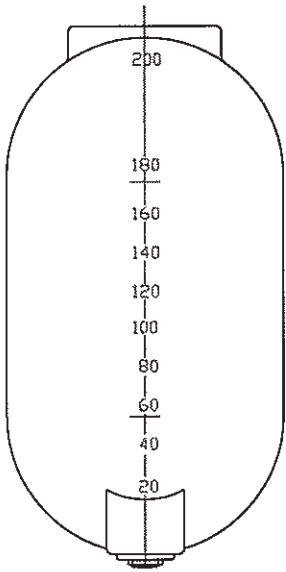


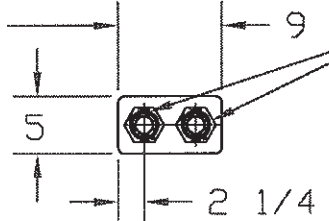
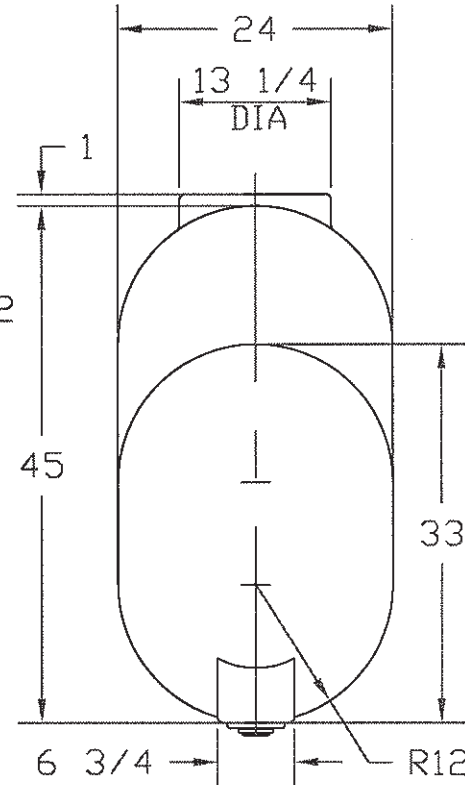
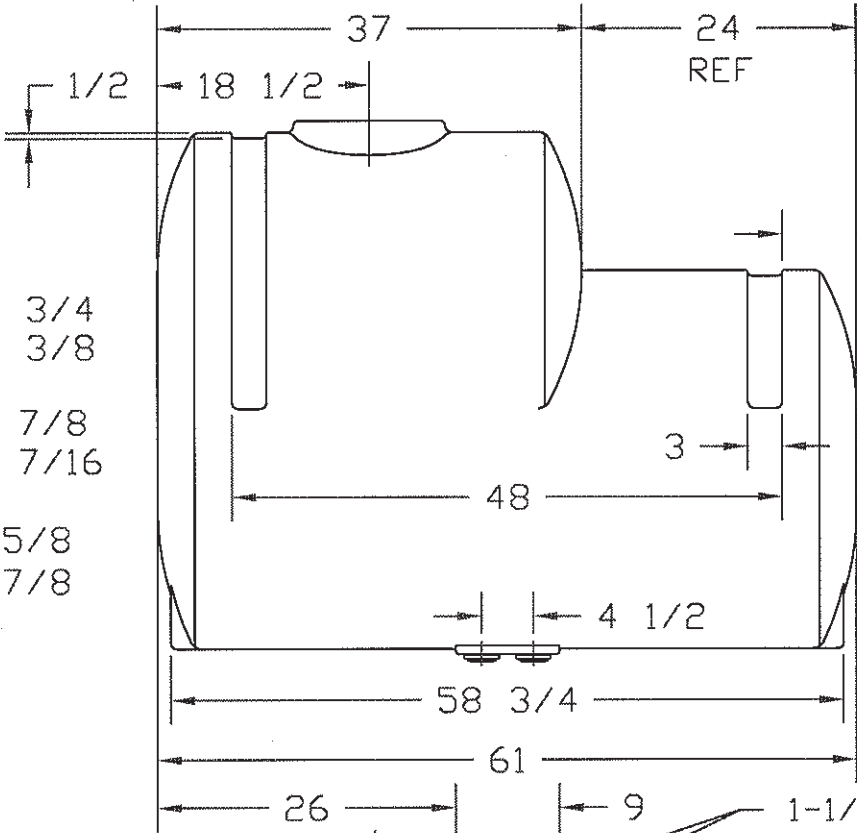
| REVISIONS | | | | |
|-----------|-----|-------------|---------|----------|
| ZONE | REV | DESCRIPTION | DATE | APPROVED |
| | B | REDRAWN | 23SEP97 | |



8 1/4 ACME THD



- 34
- 29 3/4
- 26 3/8
- 23
- 19 7/8
- 16 7/16
- 13
- 9 5/8
- 5 7/8
- 0



NORWESCO
 ST. BONIFACIUS, MN
 200 GALLON X 24
 SLIMLINE APPLICATOR TANK

| REV | DESCRIPTION | DATE |
|-----|------------------|---------|
| D | FITTINGS UPDATED | 09DEC02 |

JTP 23SEP97

| | | | |
|------------|----------|---------|----------|
| SIZE A | FSCM NO. | DWG NO. | REV D |
| SCALE 1/16 | | SHEET | |