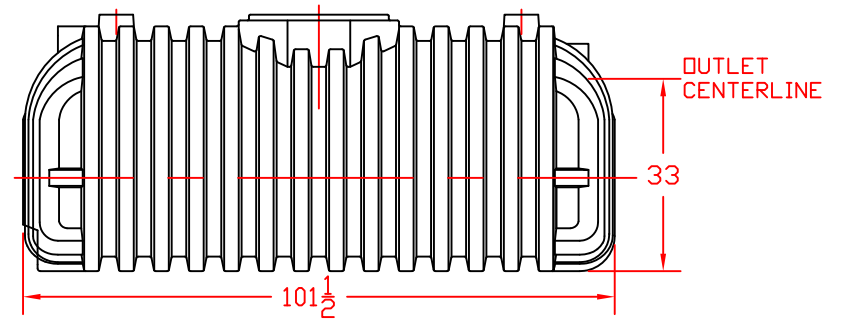
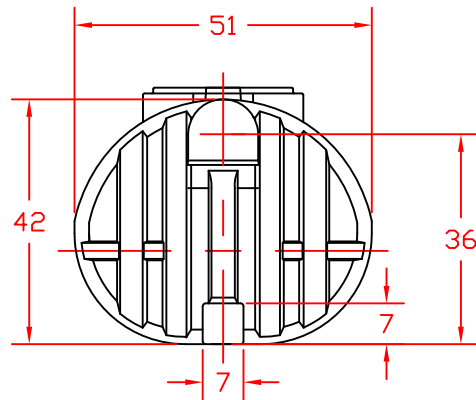
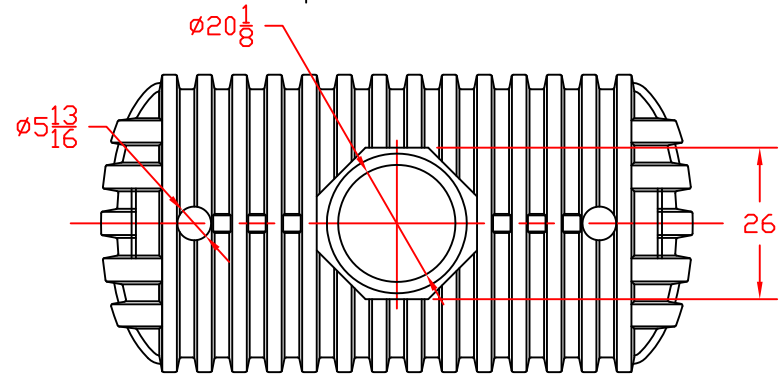


REVISIONS				
ZONE	REV	DESCRIPTION	DATE	APPROVED
	A	REMOVED INLETE/OUTLET HUBS	17AUG10	



		NORWESCO			
		ST. BONIFACIUS, MN			
		500 GALLON SEPTIC TANK			
JTP	15JUL02	SIZE B	FSCM NO.	DWG NO.	REV A
		SCALE 1/24			SHEET