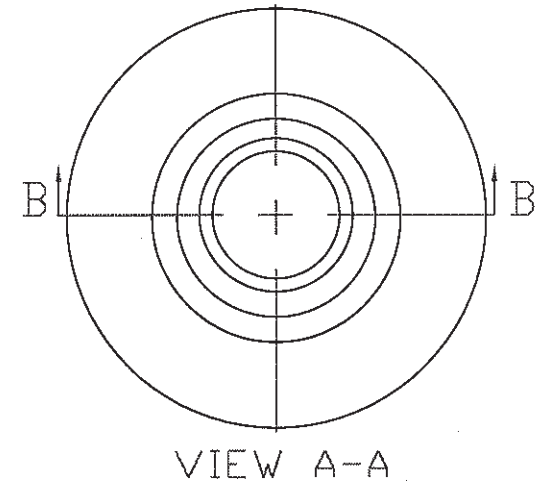
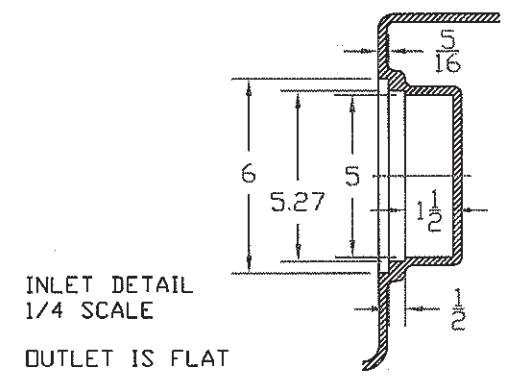
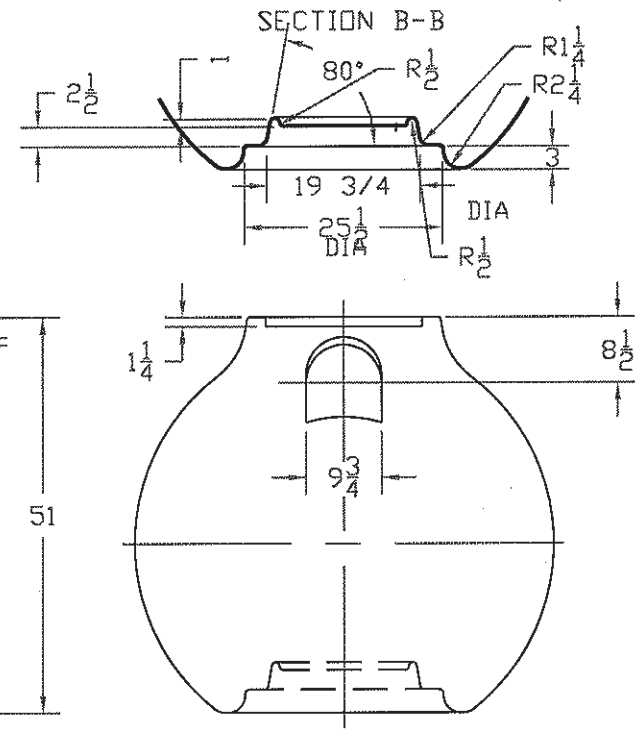
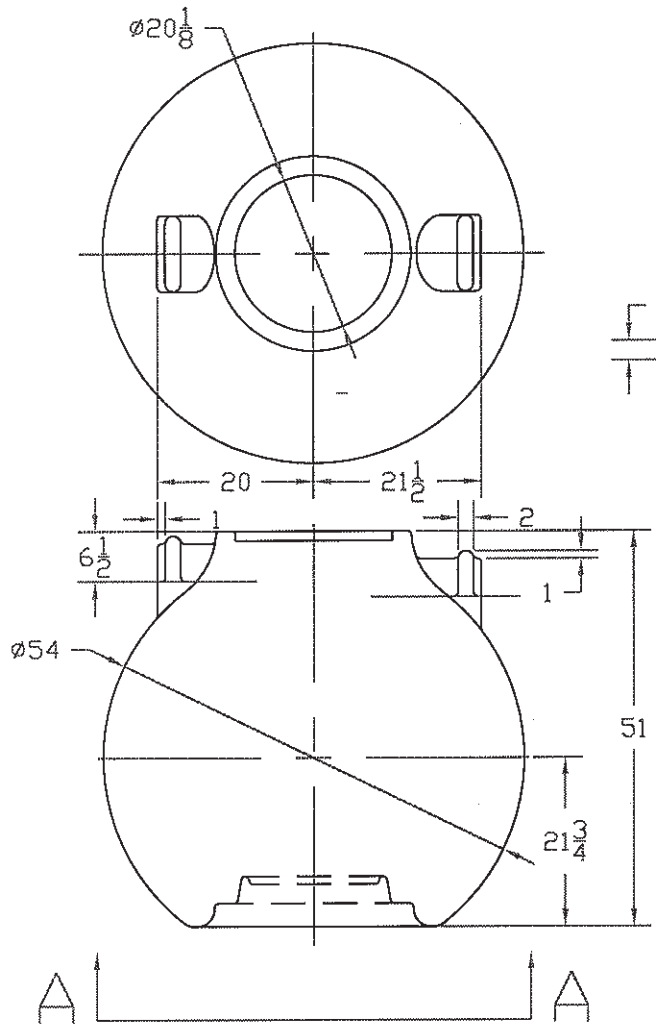


REVISIONS				
ZONE	REV	DESCRIPTION	DATE	APPROVED



JTP 2SEP98				
		ST. BONIFACIUS, MN 325 GALLON CISTERN		
SIZE B	FSCM NO.	DWG NO. 41321	REV	
SCALE 1/16		SHEET		