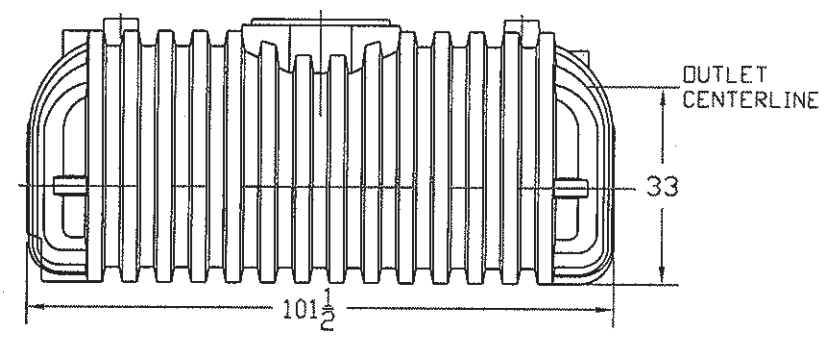
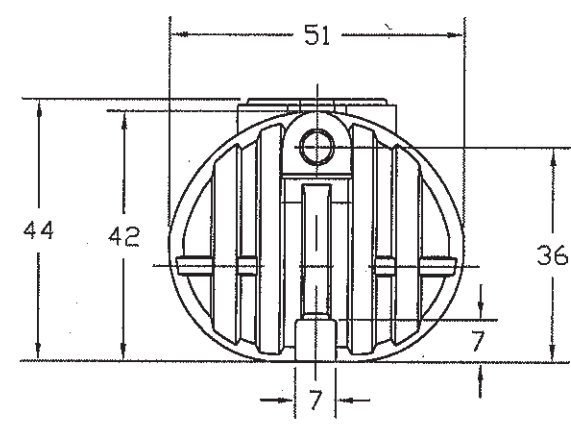
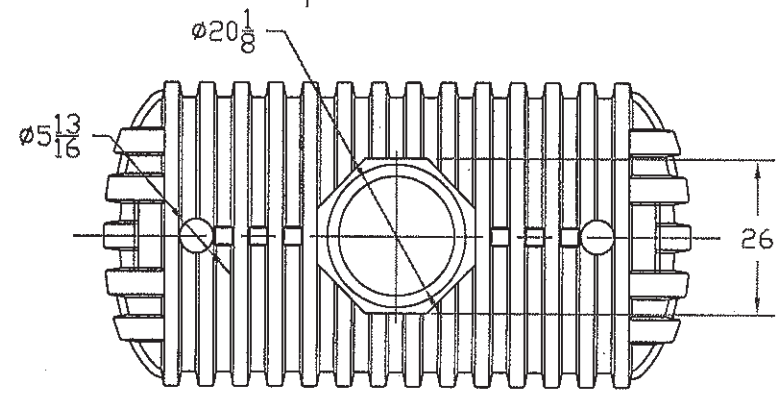
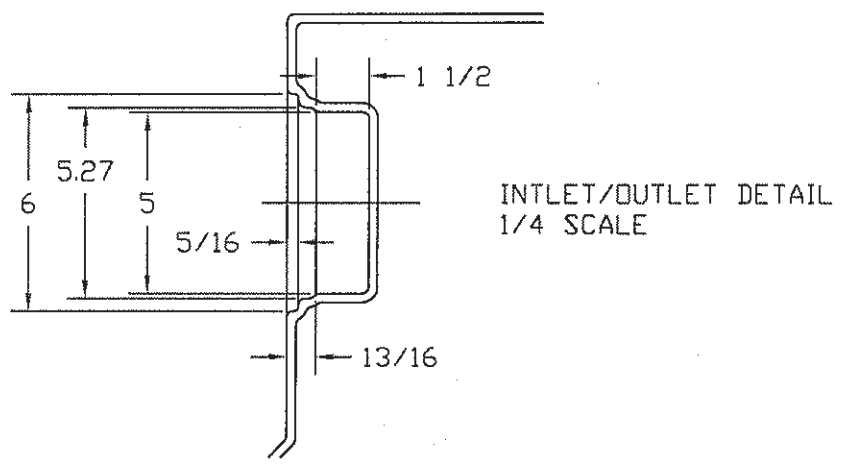


REVISIONS				
ZONE	REV	DESCRIPTION	DATE	APPROVED



JTP 21JAN03				
		ST. BONIFACIUS, MN 600 GALLON CISTERN		
SIZE B	FSCM NO.	DWG NO.	REV	