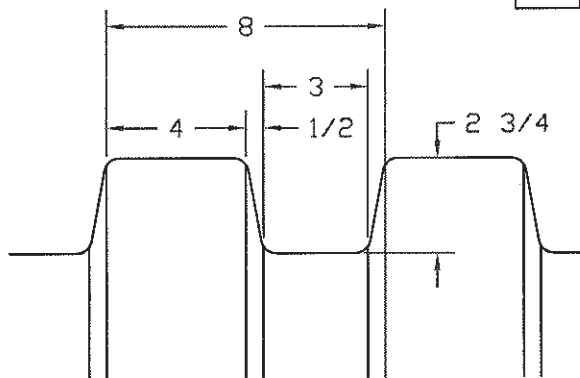
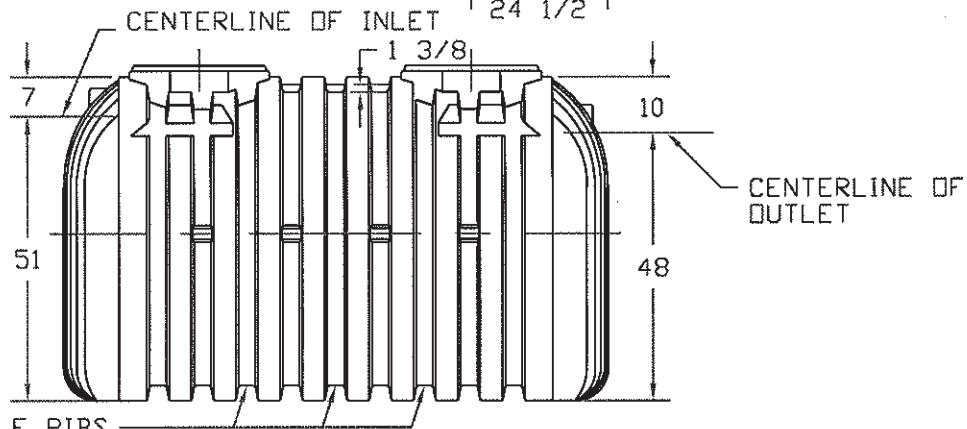
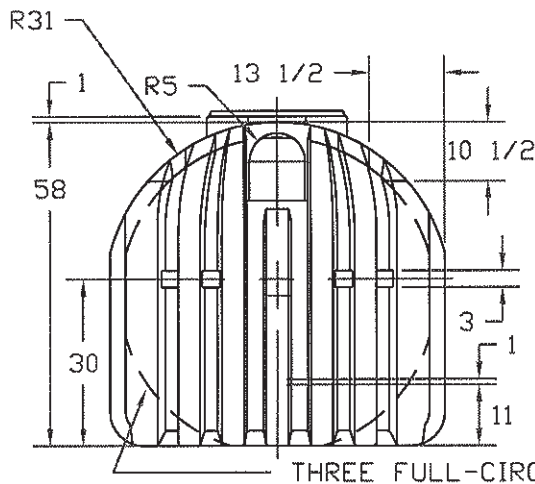
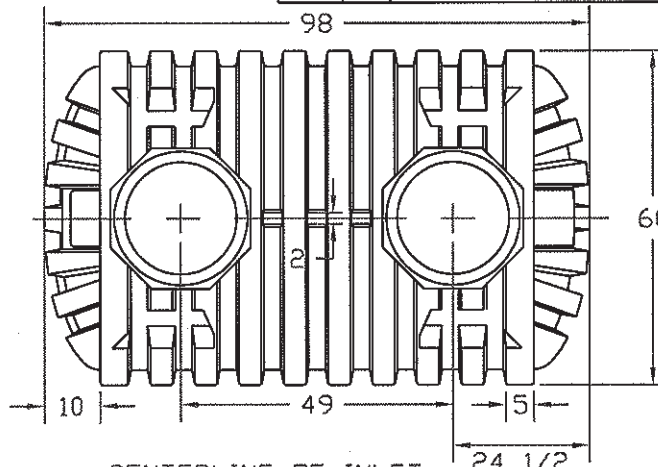


REVISIONS				
ZONE	REV	DESCRIPTION	DATE	APPROVED
	F	IN/OUT HUBS REM'D	14OCT02	

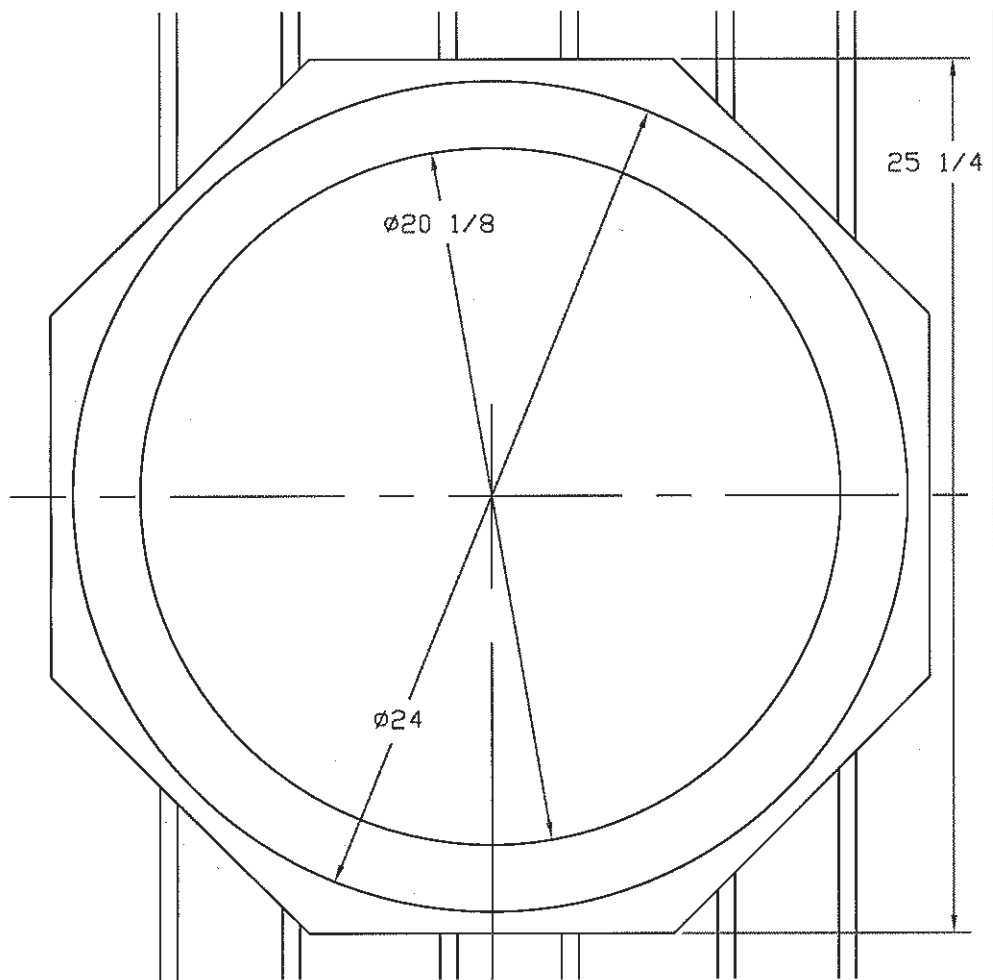
REVISIONS				
ZONE	REV	DESCRIPTION	DATE	APPROVED
	C	REDRAWN, DIMS UPDATED	17FEB97	
	D	WAS 1000 GALLON	26MAY98	
	E	WAS 40324	03JUN02	



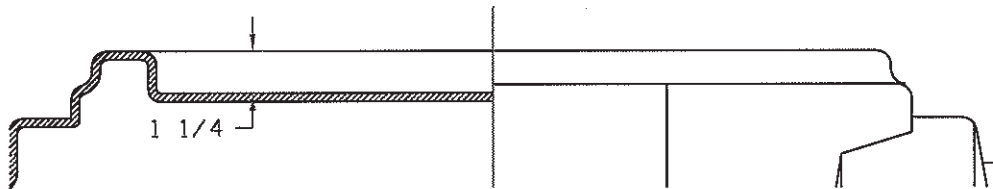
RIB DETAIL 1/4 SCALE



JTP 17FEB97					REV F
		ST. BONIFACIUS, MN 1200 GALLON CISTERN ©			
SIZE B	FSCM NO.	DWG NO.	41329 ©	SHEET 1 OF 2	
SCALE 1/24					



MANHOLE DETAIL, 1/4 SCALE



REVISIONS				
ZONE	REV	DESCRIPTION	DATE	APPROVED
	C	REDRAWN, DIMS UPDATED	17FEB97	
	D	WAS 1000 GALLON	26MAY98	
	E	WAS 40324	03JUN02	
	F	IN/OUT HUBS REM'D	14OCT02	

JTP 17FEB97					REV F
		ST. BONIFACIUS, MN 1200 GALLON CISTERN Ⓞ			
SCALE NOTED		SIZE B	FSCM NO.	DWG NO. 41329 Ⓞ	SHEET 2 OF 2