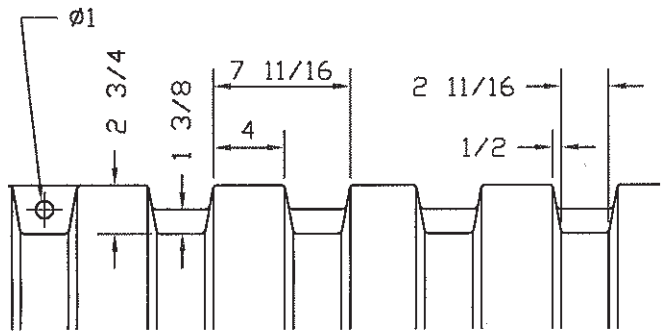
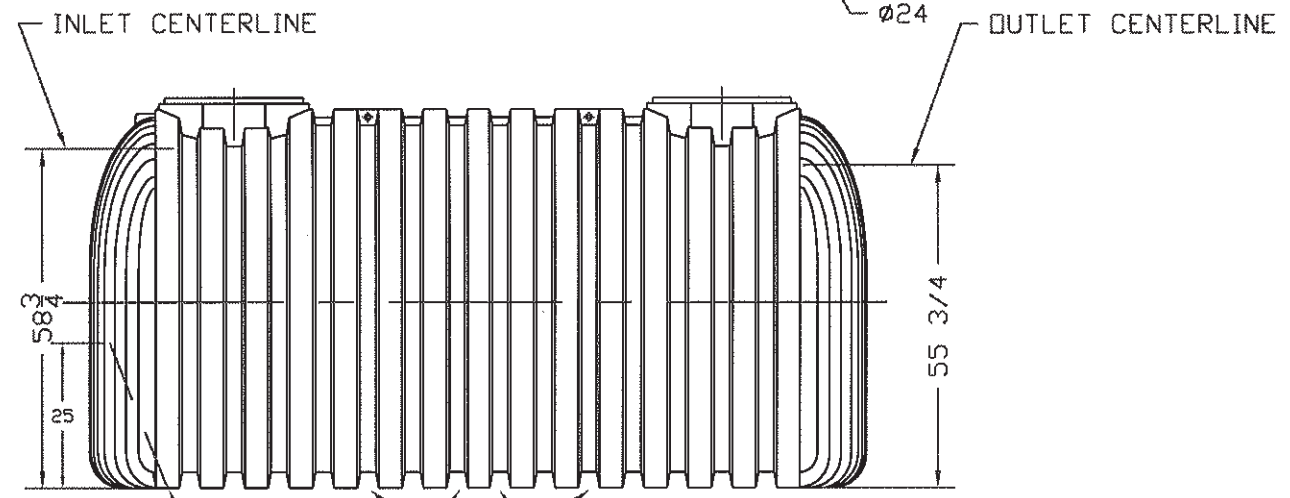
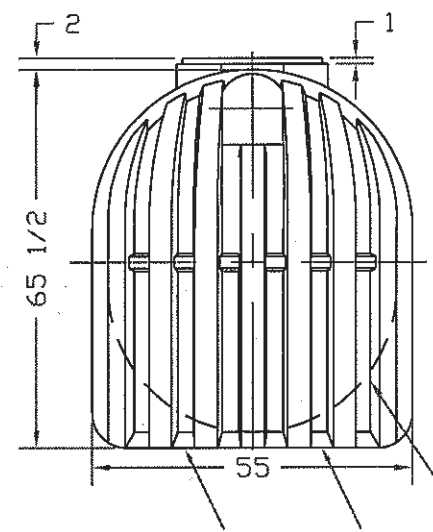
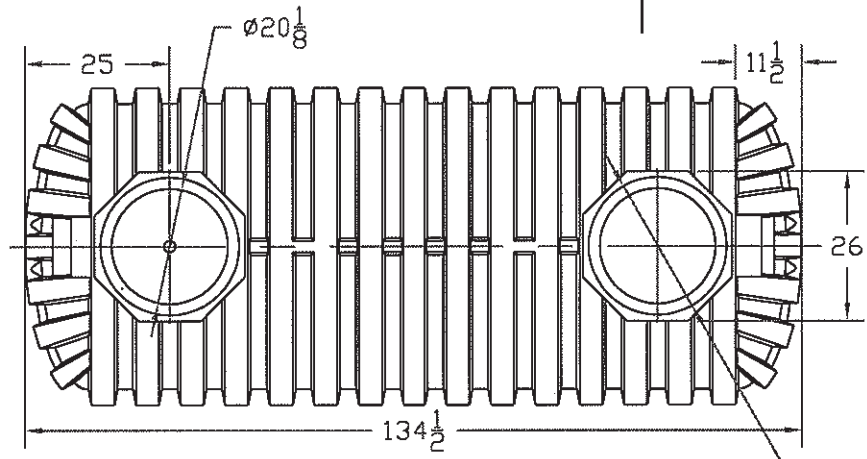


REVISIONS				
ZONE	REV	DESCRIPTION	DATE	APPROVED
	A	WAS 40278	03JUN02	



RIB DIMENSIONS
1/8 SCALE



JTP 18MAY00				REV
		ST. BONIFACIUS, MN 1700 GALLON BELOW GROUND CISTERN		
SIZE B	FSCM NO.	DWG NO. 41330 (A)	REV	
SCALE 1/24		SHEET		