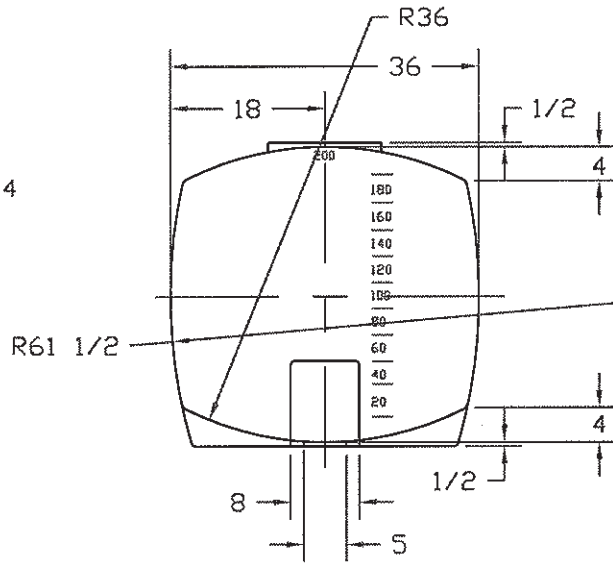
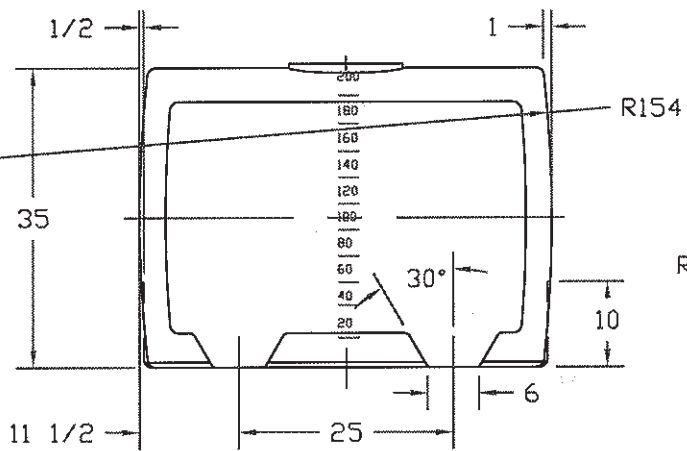
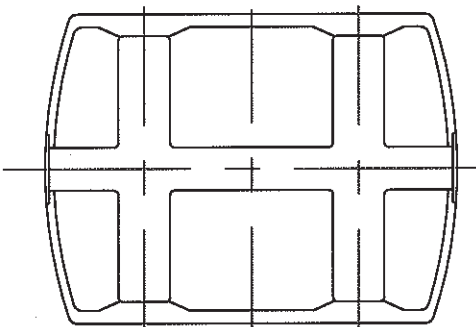


REVISIONS				
ZONE	REV	DESCRIPTION	DATE	APPROVED



— 34	31 3/4
— 30	28 7/16
— 26 13/16	25 1/4
— 23 11/16	22 3/16
— 20 5/8	19 1/8
— 17 5/8	16 1/16
— 14 9/16	13
— 11 1/2	9 15/16
— 8 3/8	6 3/4
— 5 3/16	3 7/16
— 0	



JTP 05JUN97				
		ST. BONIFACIUS, MN 200 GALLON PCO TANK		
SIZE B	FSCM NO.	DWG NO.	REV	
SCALE 1/16		SHEET		