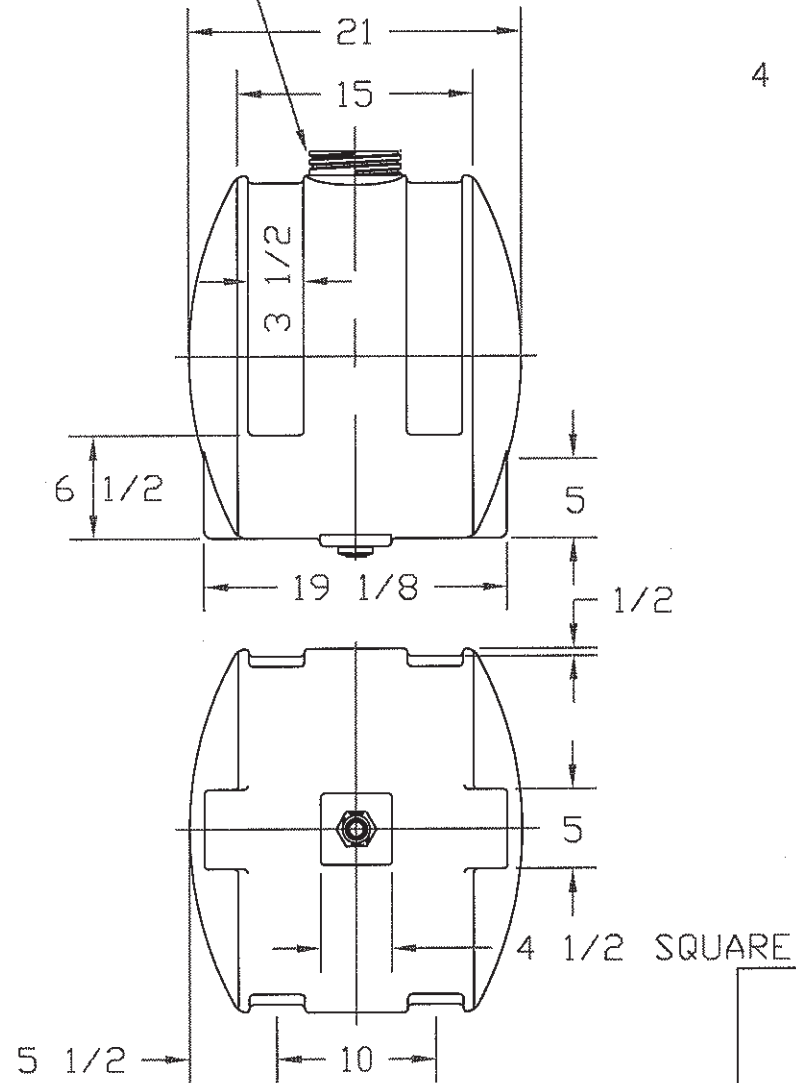
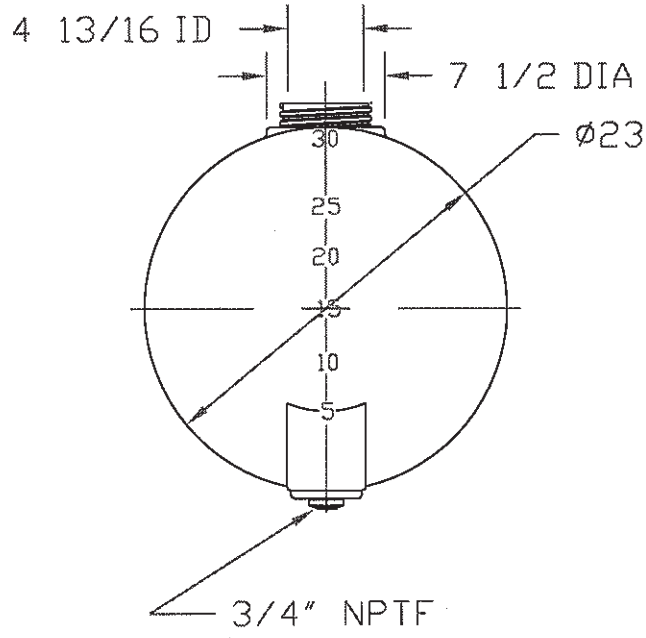


ACME THREAD
 5-3/4 MAJOR DIA
 5-3/8 MINOR DIA
 9/16 PITCH



REVISIONS				
ZONE	REV	DESCRIPTION	DATE	APPROVED
	A	REDRAWN	25AUG97	
	B	LID THREAD REVISED	09FEB00	



- 18.0
- 14.9
- 11.5
- 8.1
- 5.0
- 0

JTP 25AUG97				
		ST. BONIFACIUS, MN 30 GALLON APPLICATOR TANK		
SIZE A	FSCM NO.	DWG NO.	REV B	
SCALE 1/12		SHEET		