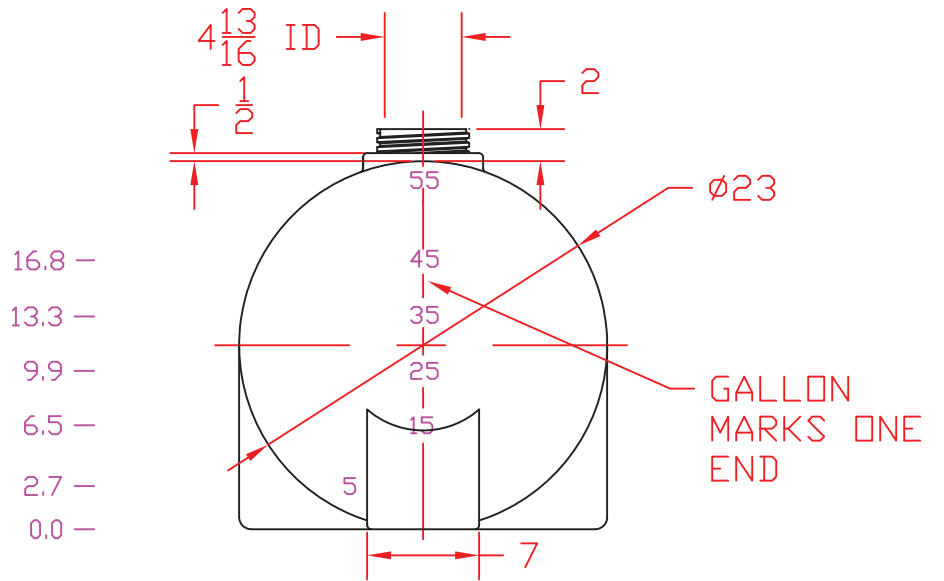
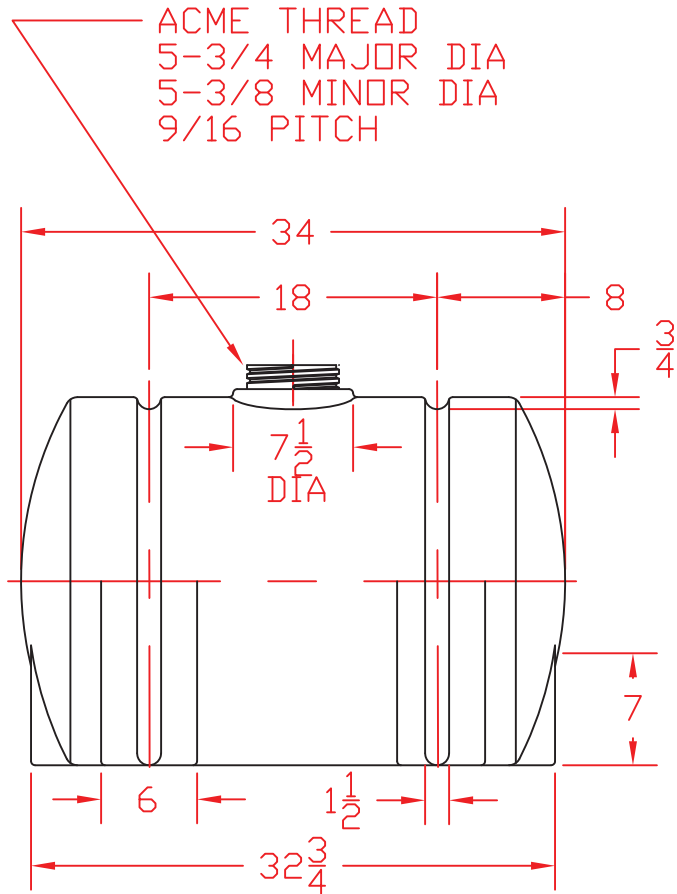



REVISIONS				
ZONE	REV	DESCRIPTION	DATE	APPROVED



JTP 25AUG03	 ST. BONIFACIUS, MN		
	55 GALLON HORIZONTAL TANK		
SIZE <b>A</b>	FSCM NO.	DWG NO. 41873	REV
SCALE 1/12		SHEET	