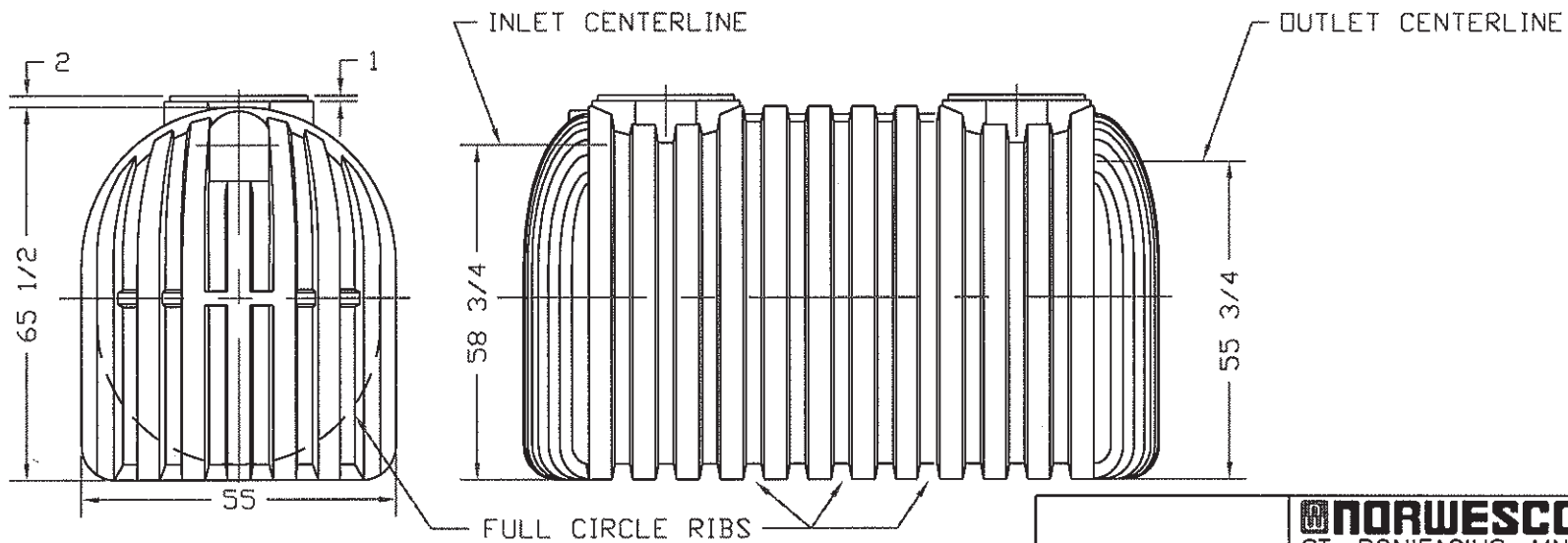
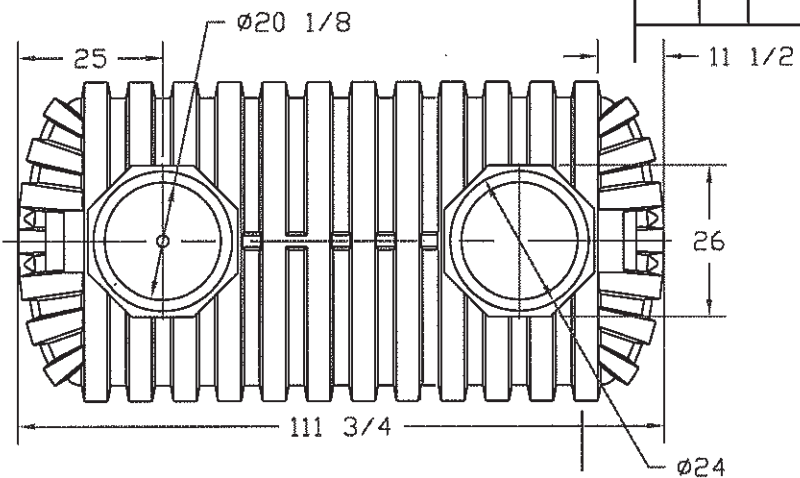


RIB DIMENSIONS
1/8 SCALE



REVISIONS				
ZONE	REV	DESCRIPTION	DATE	APPROVED

JTP 30JUN00				
		ST. BONIFACIUS, MN 1400 GALLON CISTERN TANK		
SCALE 1/24	SIZE B	FSCM NO.	DWG NO. 41893	REV
			SHEET	