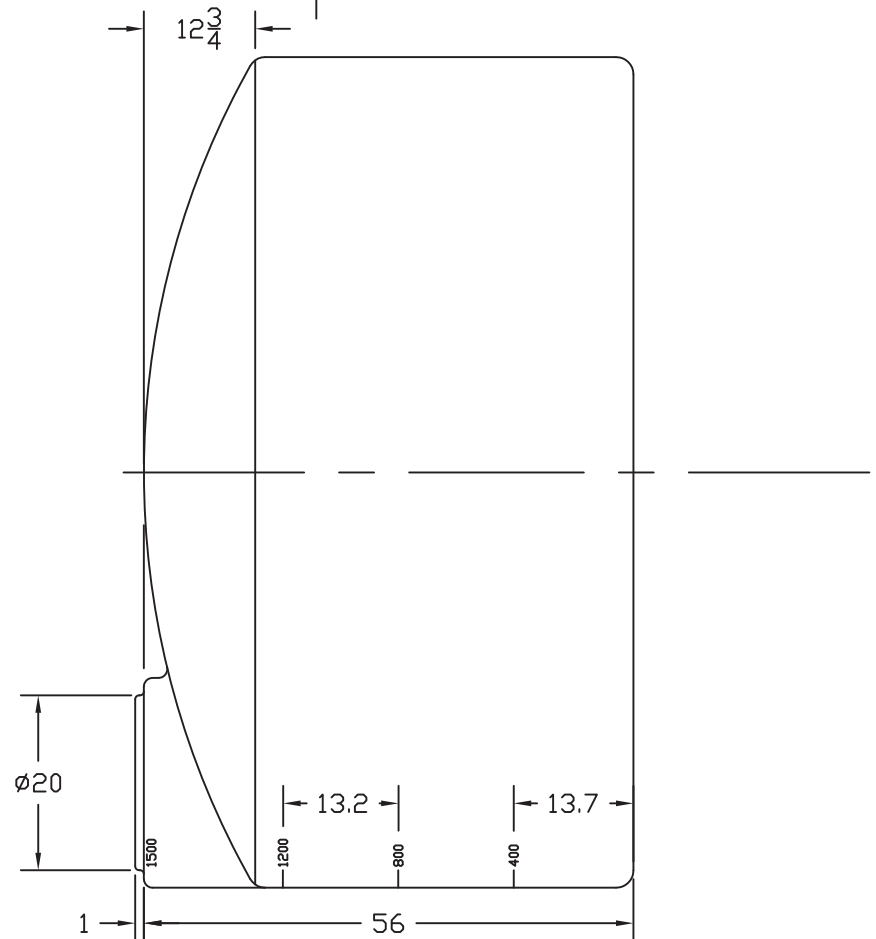
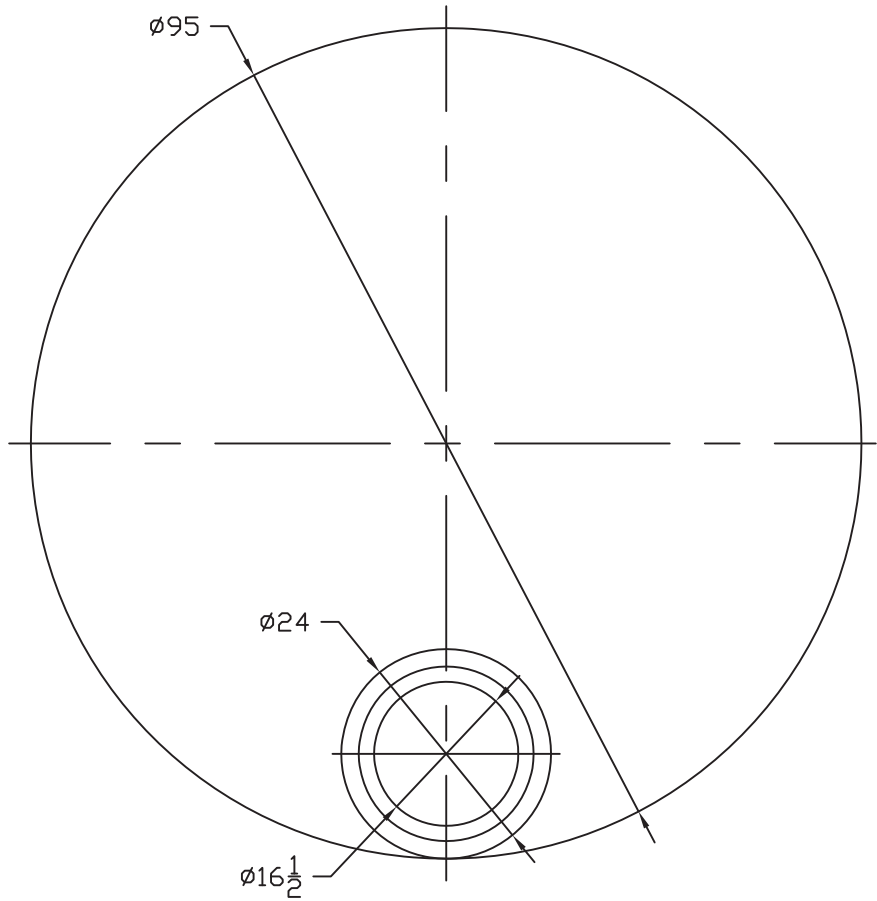


REVISIONS				
ZONE	REV	DESCRIPTION	DATE	APPROVED



JTP 13FEB04				
		ST. BONIFACIUS, MN 1500 GALLON VERTICAL WATER TANK X 95 DIA		
SCALE 1/16	SIZE B	FSCM NO.	DWG NO.	REV
SHEET				