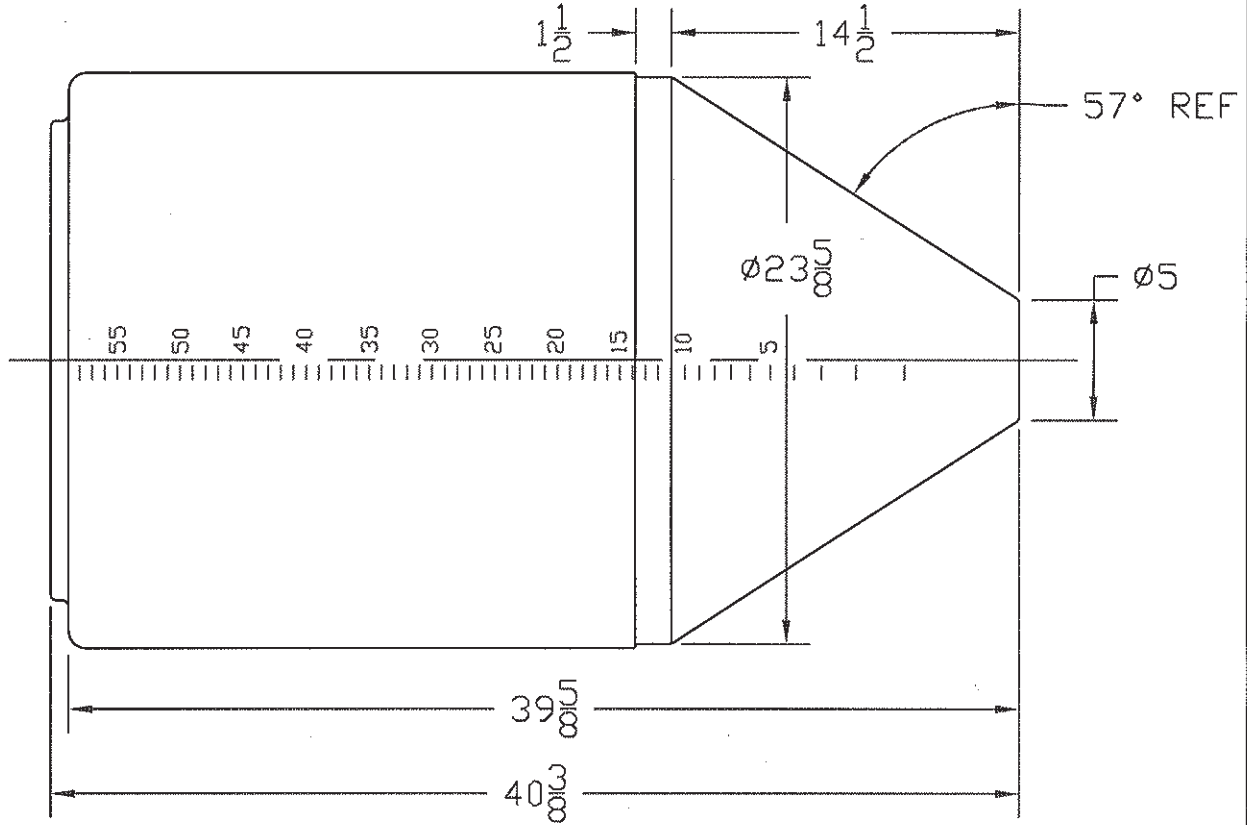
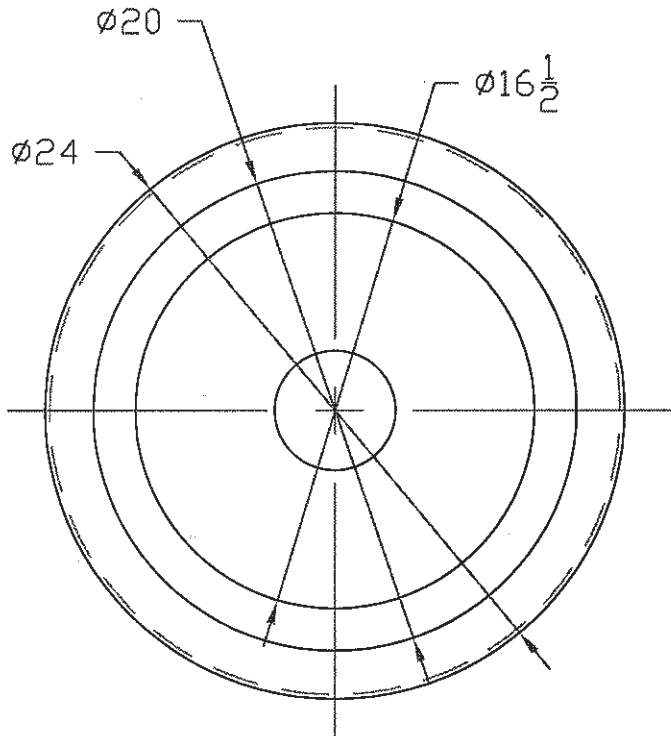



REVISIONS				
ZONE	REV	DESCRIPTION	DATE	APPROVED



 ST. BONIFACIUS, MN 60 GALLON INDUCTOR TANK X 24 DIA		SIZE	FSCM NO.	DWG NO.	REV
		A			
JTP 02APR04		SCALE 1/8		SHEET	