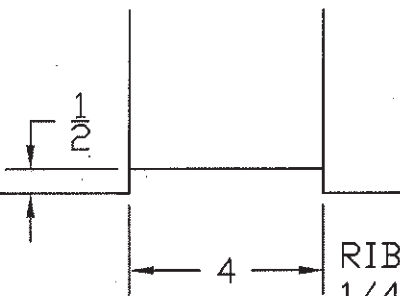
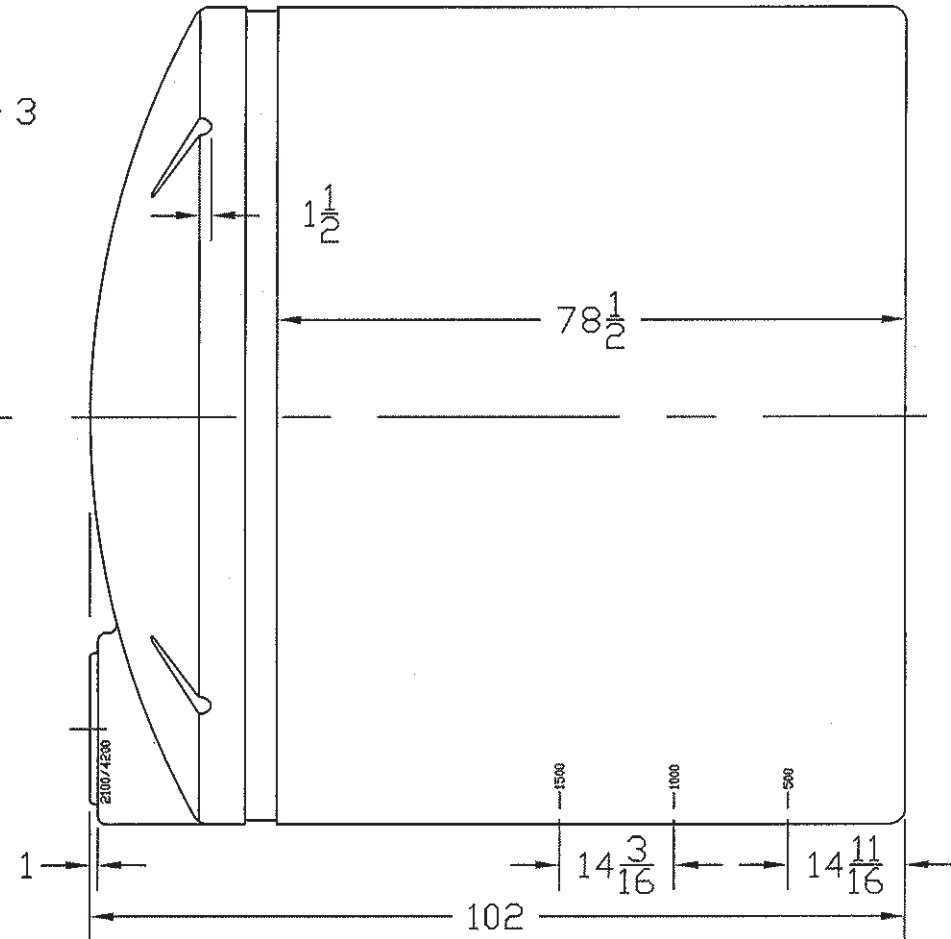
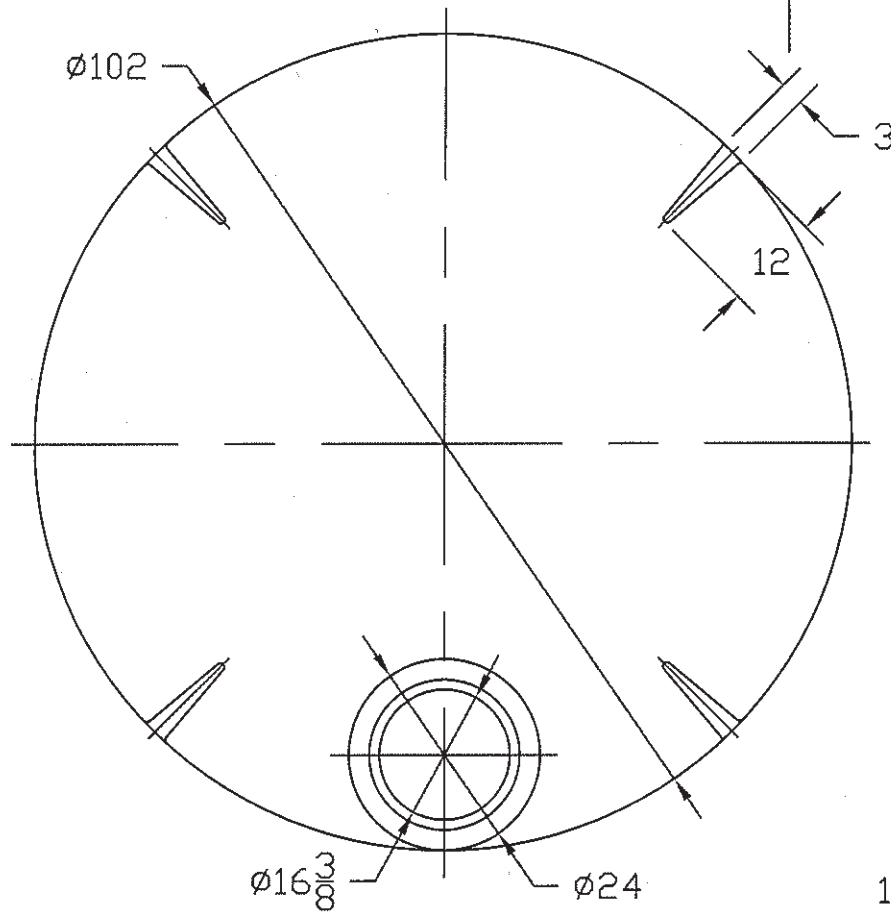


REVISIONS

ZONE	REV	DESCRIPTION	DATE	APPROVED



RIB DIMENSIONS
1/4 SCALE

NORWESCO

ST. BONIFACIUS, MN

2800 GALLON (X 102 DIA)
CONTAINMENT TANK

JTP 22FEB05

SIZE
A

FSCM NO.

DWG NO.

REV

SCALE 1/24

SHEET