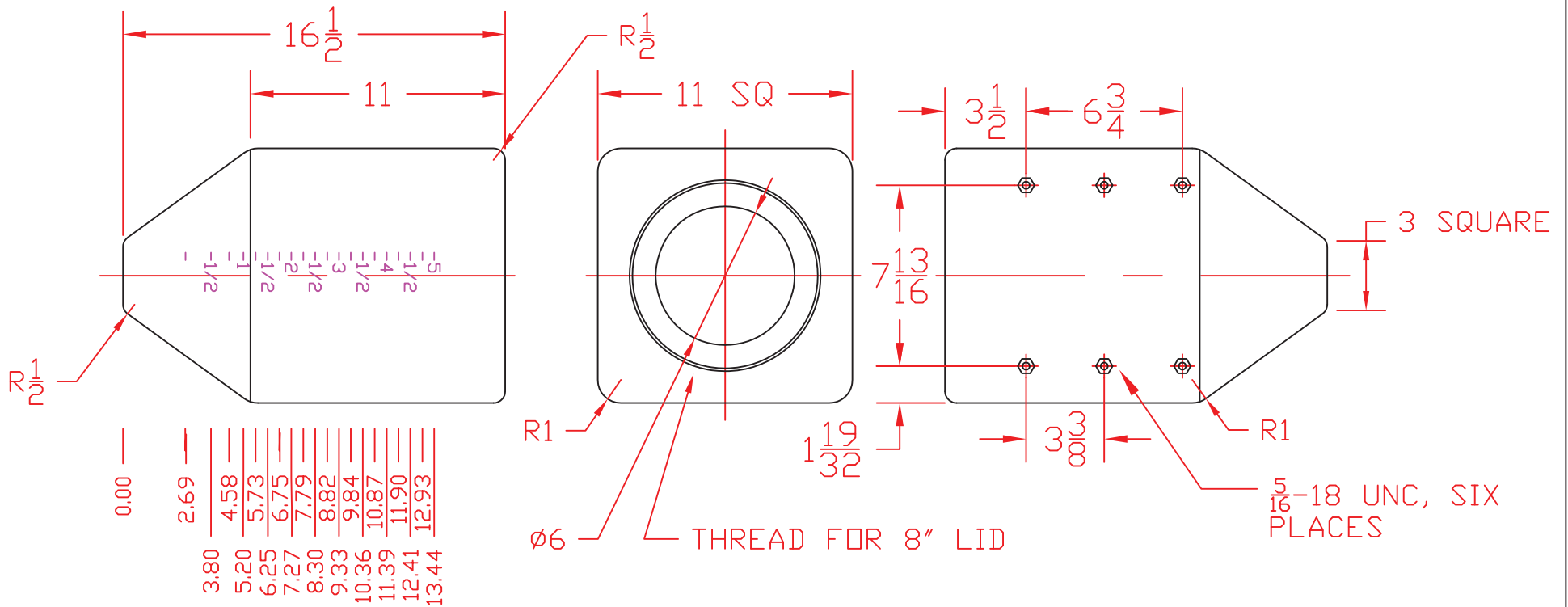



REVISIONS				
ZONE	REV	DESCRIPTION	DATE	APPROVED



JTP 18FEB05		 ST. BONIFACIUS, MN		
		FIVE GALLON SQUARE TOTAL DRAIN TANK		
SIZE A	FSCM NO.	DWG NO.	REV	
SCALE 1/8		SHEET		