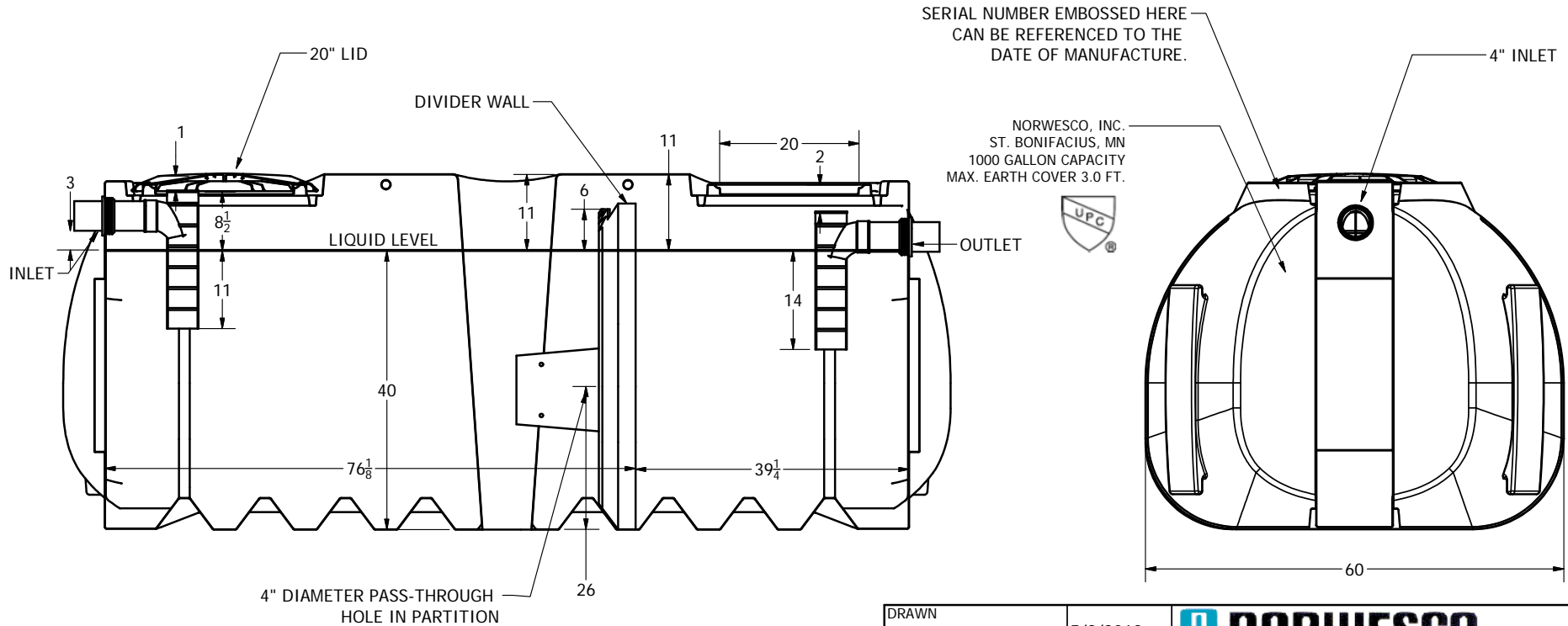



MATERIAL: HIGH-DENSITY POLYETHYLENE  
 WALL THICKNESS: TANK WALL - .250"  
 DIVIDER WALL - .19"

ZONE		REV	REVISION HISTORY	DESCRIPTION	DATE	APPROVED



OPERATING VOLUME: PRIMARY COMPARTMENT: 662 GALLONS  
 OPERATING VOLUME: SECONDARY COMPARTMENT: 338 GALLONS

DRAWN Todd Bolzer	5/8/2012	 NORWESCO, INC., ST. BONIFACIUS, MN		
CHECKED				
QA		TITLE		
MFG		1000 GALLON LOW PROFILE SEPTIC TANK - IAPMO		
APPROVED				
		SIZE	DWG NO	REV
		B	1000 Gallon IAPMO	
		SCALE: 1/16	SHEET 1 OF 1	