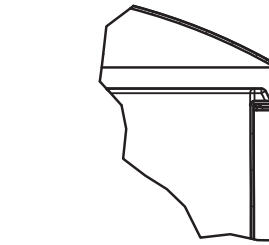
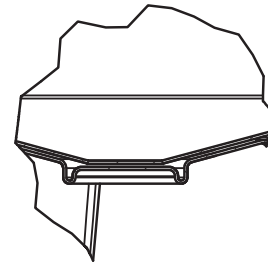


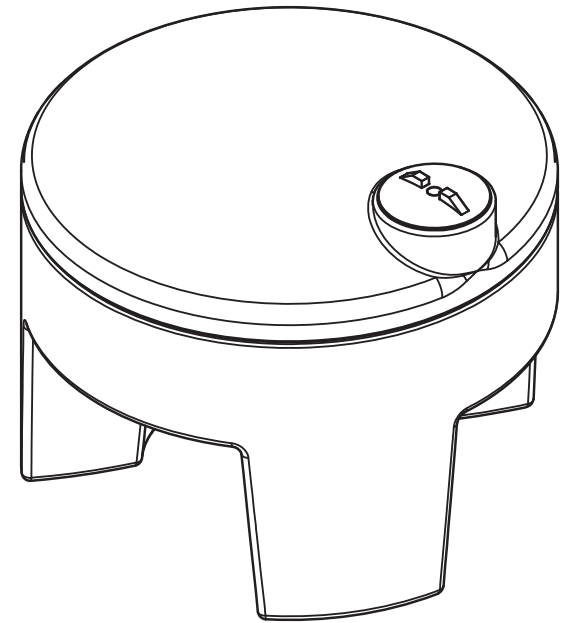
SECTION A-A
SCALE 0.06 : 1




DETAIL B
SCALE 1 / 10



DETAIL C
SCALE 1 / 10



DRAWN Todd Bolzer	8/22/2014		
CHECKED		NORWESCO, INC., ST. BONIFACIUS, MN	
QA		TITLE	
MFG		125 Gallon 15 Degree Cone Tank with Containment	
APPROVED		SIZE	DWG NO
		B	43161
		SCALE: 1/16	REV C
			SHEET 1 OF 1