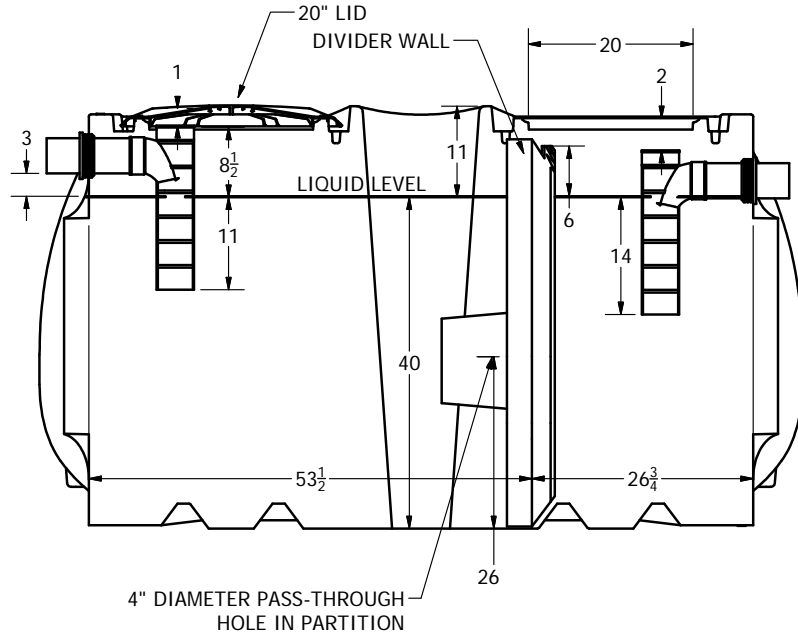


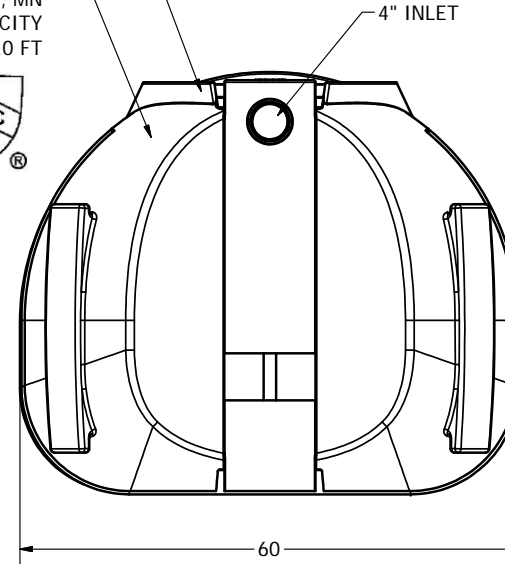
MATERIAL: HIGH-DENSITY POLYETHYLENE
 WALL THICKNESS: TANK WALL - .250"
 DIVIDER WALL - .19"

ZONE		REV	REVISION HISTORY	DESCRIPTION	DATE	APPROVED



SERIAL NUMBER EMBOSSED HERE
 CAN BE REFERENCED TO THE
 DATE OF MANUFACTURE

NORWESCO, INC.
 ST. BONIFACIUS, MN
 750 GALLON CAPACITY
 MAX. EARTH COVER 3.0 FT



OPERATING VOLUME: PRIMARY COMPARTMENT: 499 GALLONS
 OPERATING VOLUME: SECONADARY COMPARTMENT: 255 GALLONS

DRAWN Todd Bolzer	5/8/2012	 NORWESCO, INC., ST. BONIFACIUS, MN		
CHECKED				
QA		TITLE		
MFG		750 GALLON LOW PROFILE SEPTIC TANK IAPMO		
APPROVED				
		SIZE	DWG NO	REV
		B	750 Gallon IAPMO	
		SCALE: 1/16	SHEET 1 OF 1	