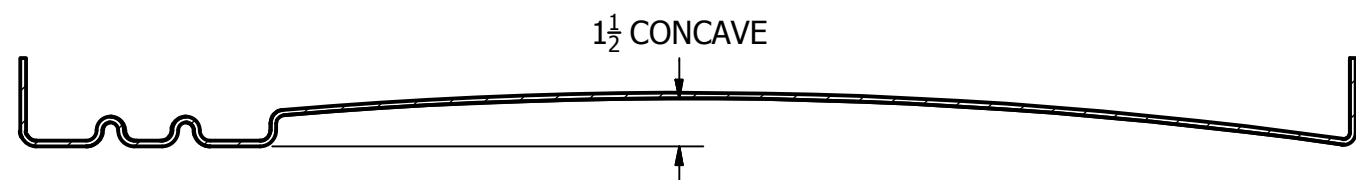
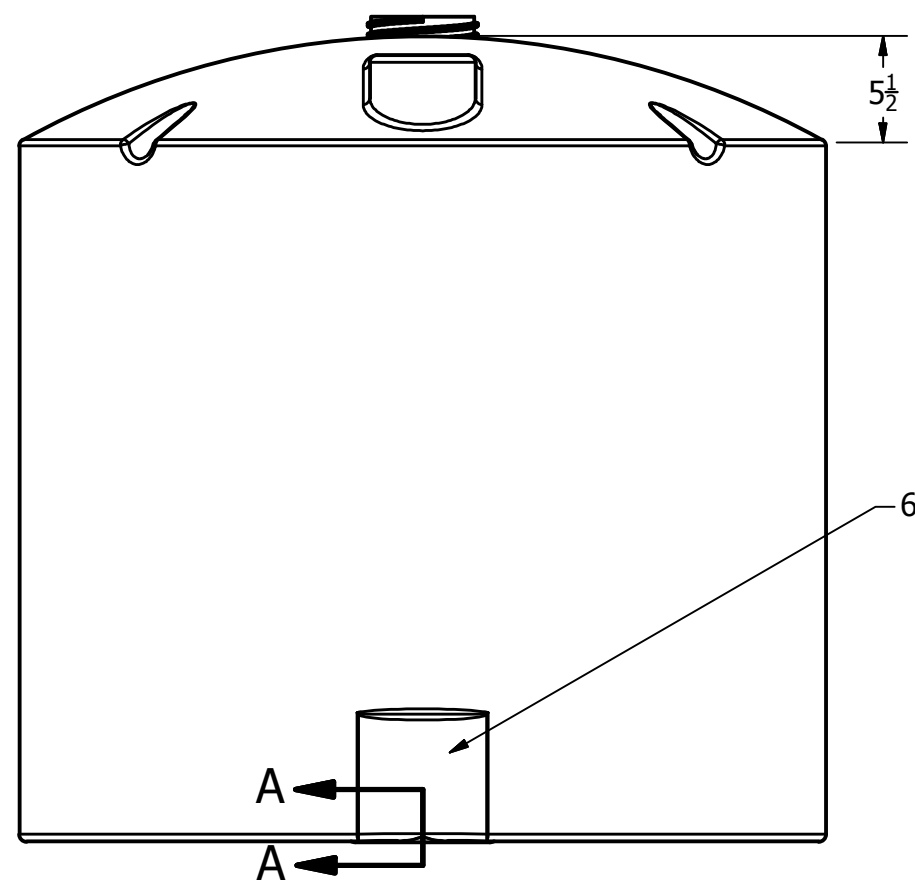
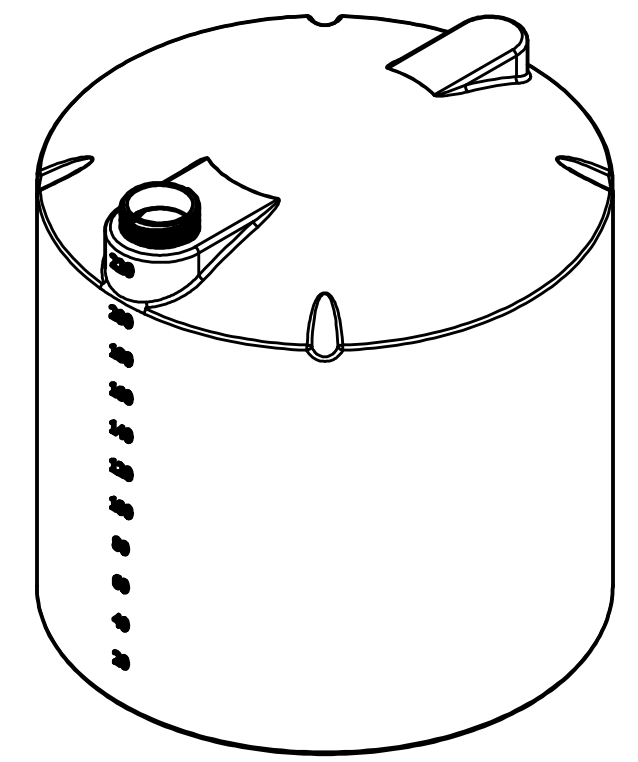


REVISION HISTORY			
REV	DESCRIPTION	DATE	AUTHOR
B	REDRAWN	1/13/1997	
C	LID THREAD REVISED	2/9/2000	
D	WAS MINI BULK TANK	8/15/2011	
E	REDRAWN	7/16/2013	Michael Holden



SECTION A-A
SCALE 1 : 6

DRAWN Jerry Paulson	1/13/1997		
CHECKED		NORWESCO, INC. SAINT BONIFACIUS, MN	
QA		TITLE	
MFG		220 GALLON VERTICAL TANK	
APPROVED		SIZE B	DWG NO
		SCALE: 1/16	REV E
		SHEET 1 OF 2	