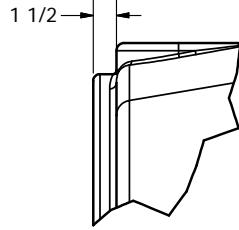
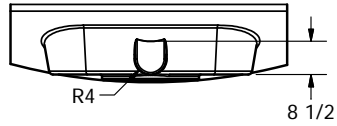
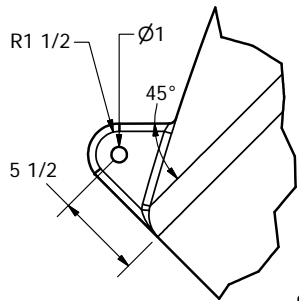
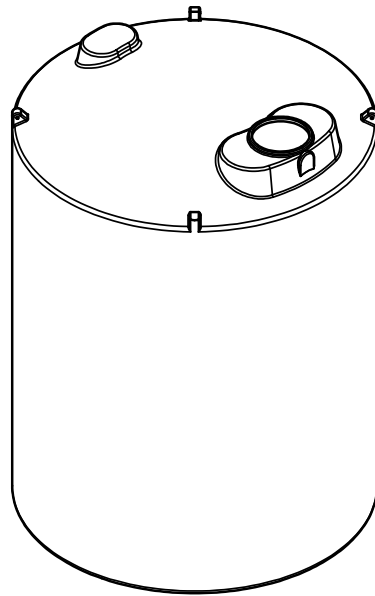
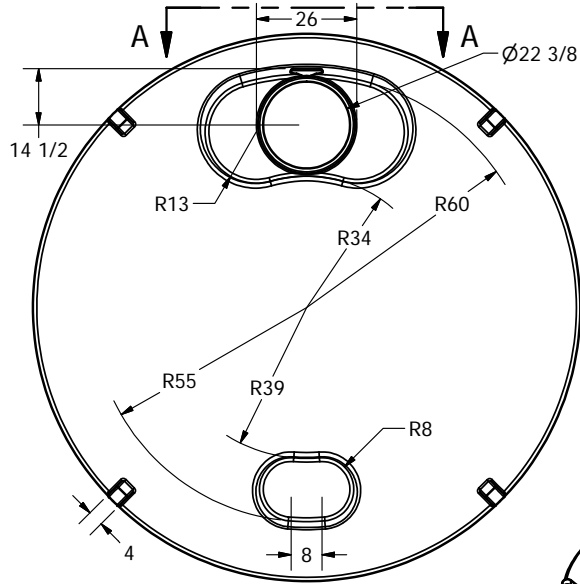
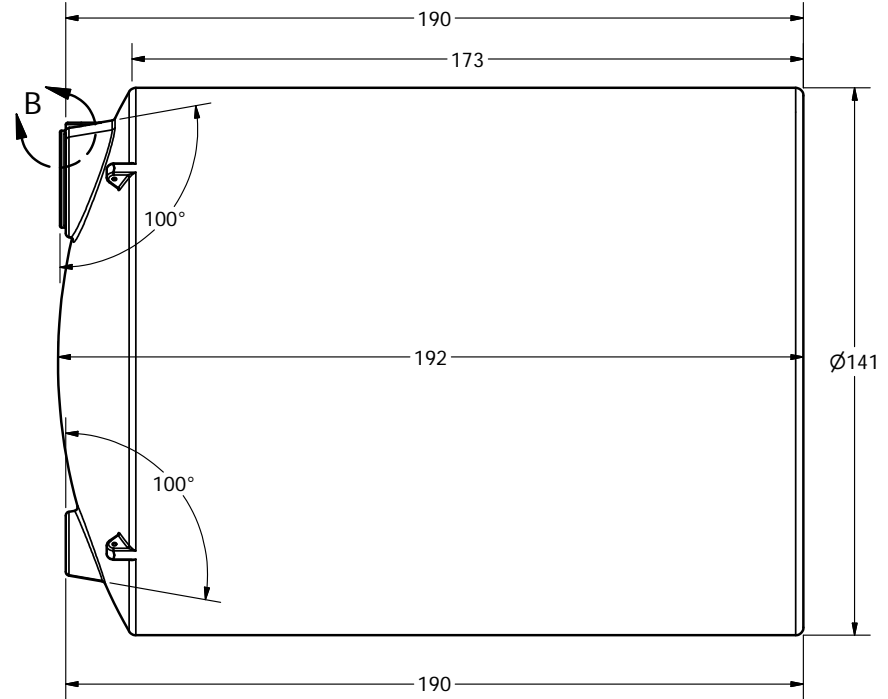



VIEW A-A
SCALE 1/32



DETAIL B
SCALE 1 / 8



DETAIL D
SCALE 1 / 8

DRAWN Jerry Paulson	1/29/2014			
CHECKED		NORWESCO, INC. SAINT BONIFACIUS, MN		
QA		TITLE		
MFG		12,000 GALLON VERTICAL INDUSTRIAL TANK		
APPROVED		SIZE	DWG NO	REV
		B		
SCALE: 1/32		SHEET 1 OF 1		