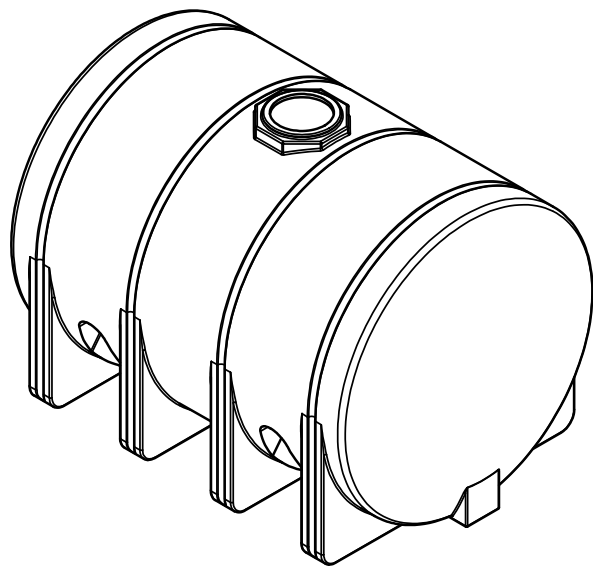



REVISION HISTORY			
REV	DESCRIPTION	DATE	ENGINEER
A	Redrawn with revised end sumps	8/15/2013	Jerry Paulson



DRAWN Jerry Paulson	8/15/2013	 NORWESCO, INC. SAINT BONIFACIUS, MN	
CHECKED			
QA		TITLE	
MFG		3725 GALLON HORIZONTAL LEG TANK	
APPROVED			
		SIZE B	DWG NO
			REV A
		SCALE: 1/16	SHEET 1 OF 1