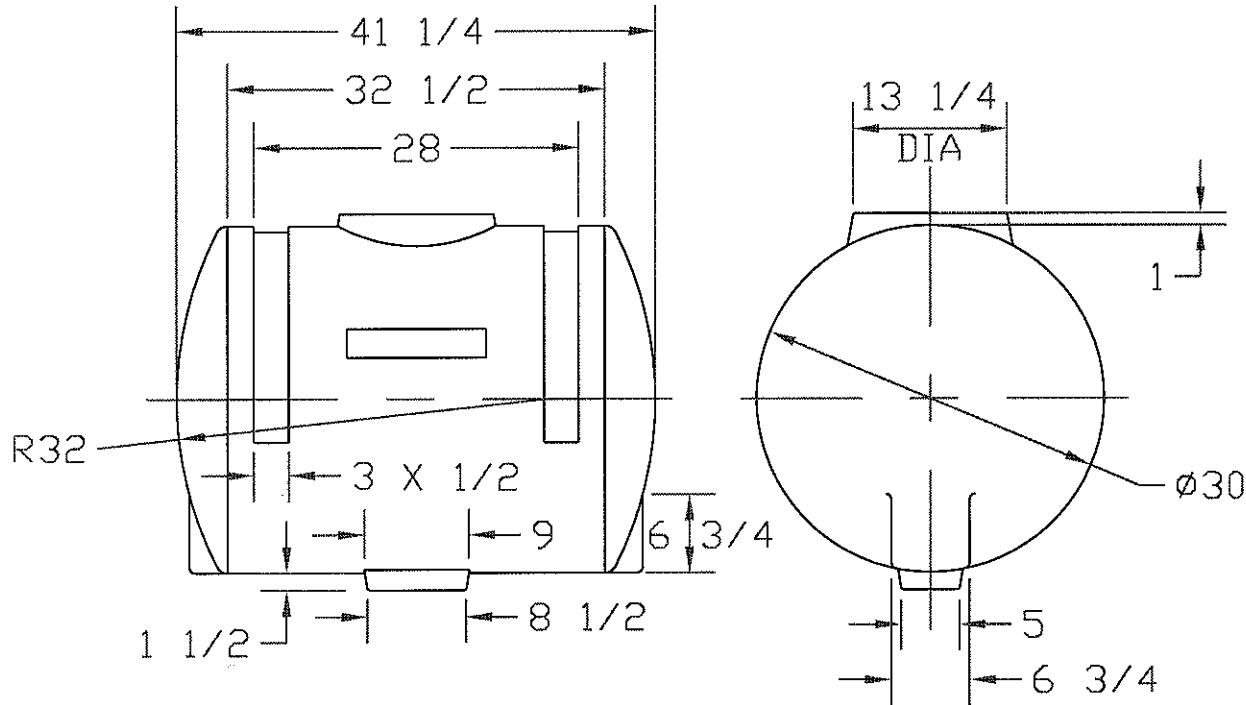


8 1/4 ACME THD,
RH, FOR 60002 LID



REVISIONS				
ZONE	REV	DESCRIPTION	DATE	APPROVED

JTP 22AUG94					
		ST. BONIFACIUS, MN 110 GALLON APPLICATOR TANK			
		SIZE A	FSCM NO. _____	DWG NO. _____	REV _____
		SCALE 1/16			SHEET